

BLACK+DECKER

TM

ESTACIÓN DE COMIDAS 3 EN 1
3-IN-1 MULTI-PURPOSE MEAL STATION

manual de uso y cuidado
use and care manual

WM2000S-LA

WM2000S-AR

WM2000S-CL



Gracias por su compra!
Thank you for your purchase!

www.BlackAndDeckerHome.com



Share your pictures & stories with us online
Comparta sus fotografías e historias con nosotros en línea



Please Read and Save this Use and Care Book.

IMPORTANT SAFEGUARDS.

When using electrical appliances, basic safety precautions should always be followed to reduce the risk of fire, electric shock, and/or injury, including the following:

- READ ALL INSTRUCTIONS BEFORE USING.
- Do not touch hot surfaces. Only use the heat-resistant handle.
- To protect against electrical shock, do not immerse cord, plug, or appliance in water or other liquid.
- Close supervision is necessary when any appliance is used by or near children.
- Unplug from outlet when not in use and before cleaning. Allow to cool before putting on or taking off parts, and before cleaning the appliance.
- Do not operate any appliance with a damaged cord or plug, or if the appliance malfunctions or has been damaged in any manner. Contact consumer support at the toll-free number listed in the warranty section.
- The use of accessory attachments not recommended by the appliance manufacturer may cause injuries.
- Do not use outdoors.
- Do not let cord hang over edge of table or counter, or touch hot surfaces.
- Do not place on or near a hot gas or electric burner, or in a heated oven.
- Extreme caution must be used when moving an appliance containing hot food or hot liquids.
- To disconnect, remove plug from wall outlet. Do not yank on cord.
- Do not use appliance for other than intended use.
- This appliance is not intended for use by persons (including children) with reduced physical, sensory or mental capabilities, or lack of experience and knowledge, unless they have been given supervision or instructions concerning use of the appliance by a person responsible for their safety.
- Children should be supervised to ensure that they do not play with the appliance.
- When using the appliance, provide adequate air space above and on all sides for circulation.
- Do not use this appliance on an unstable surface.
- Do not attempt to heat or cook non-food items in this appliance.
- Use this appliance only in the closed position.

SAVE THESE INSTRUCTIONS.

This product is for household use only.

POLARIZED PLUG (120V models only)

This appliance has a polarized plug (one blade is wider than the other). To reduce the risk of electric shock, this plug is intended to fit into a polarized outlet only one way. If the plug does not fit fully into the outlet, reverse the plug. If it still does not fit, contact a qualified electrician. Do not attempt to modify the plug in any way

TAMPER-RESISTANT SCREW

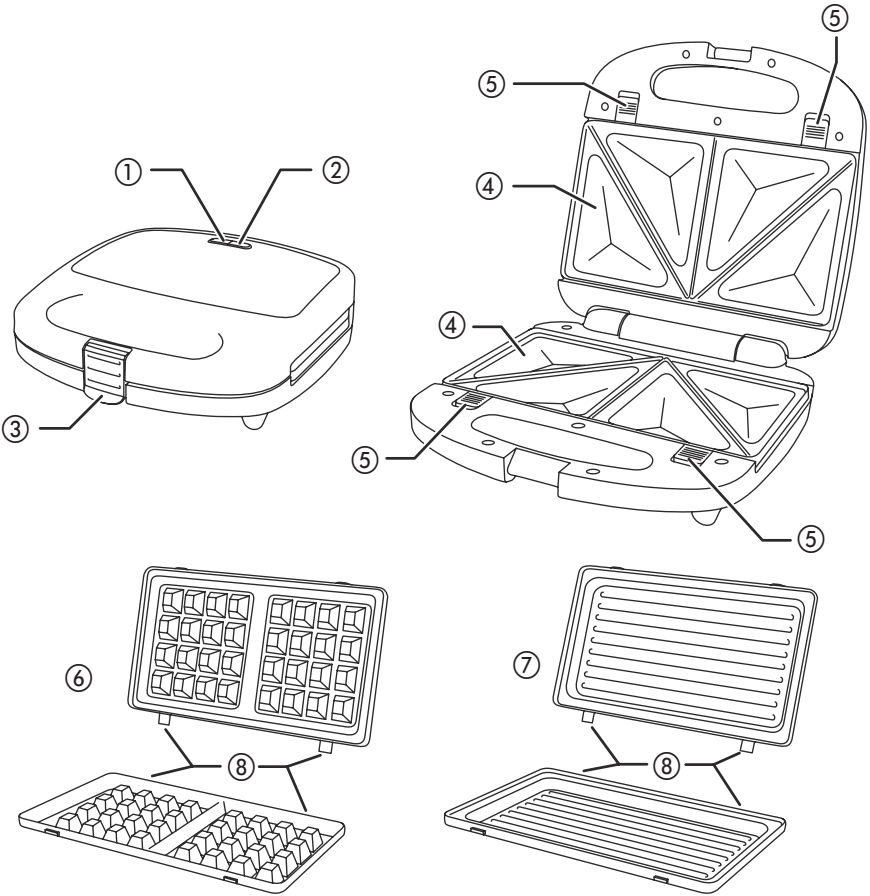
Warning: This appliance is equipped with a tamper-resistant screw to prevent removal of the outer cover. To reduce the risk of fire or electric shock, do not attempt to remove the outer cover. There are no user-serviceable parts inside. Repair should be done only by authorized service personnel.

ELECTRICAL CORD

1. A short power-supply cord is provided to reduce the risk resulting from becoming entangled in or tripping over a longer cord.
2. Extension cords are available and may be used if care is exercised in their use.
3. If a long extension cord is used:
 - a) The marked electrical rating of the extension cord should be at least as great as the electrical rating of the appliance.
 - b) If the appliance is of the grounded type, the extension cord should be a grounding-type 3-wire cord.
 - c) The cord should be arranged so that it will not drape over the countertop or tabletop where it can be pulled on by children or tripped over unintentionally.

Note: If the power cord is damaged, please contact the warranty department listed in these instructions.

GETTING TO KNOW YOUR 3-IN-1 MULTI-PURPOSE MEAL STATION™



- 1. Power light (red)
- 2. Ready light (green)
- 3. Latch (part no. WM2000-04)
- 4. Sandwich plates (part no. WM2000-01)
- 5. Release buttons
- 6. Waffle plates (part no. WM2000-02)
- 7. Ribbed plates (part no. WM2000-03)
- 8. Tabs

Product may vary slightly from what is illustrated.

HOW TO USE

This appliance is intended for household use only.

GETTING STARTED

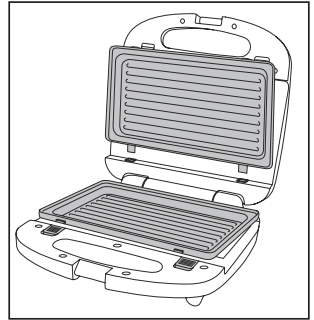
- Remove all packing material, any stickers, and the plastic band around the power plug.
- Remove and save literature.
- Please go to www.prodprotect.com/blackanddecker to register your warranty.
- Before first use, clean appliance and plates according to instructions in the CARE AND CLEANING section of this manual.

ATTACHING THE PLATES

Important: Never power on this appliance without both cooking plates securely attached.

Caution: Attach plates when the appliance is cool.

1. To attach the top plate, insert the longer tabs into the slots closest to the hinge. Press down gently until the plate snaps into place.
2. Securely attach bottom plate using the technique as described in Step 1.



PREPARATION

Note: Aerosol cooking spray should not be used on the plates.

1. Set the appliance on a stable, level, heatproof surface.
2. Close lid and plug cord into outlet.
3. The red power light will come on as long as the appliance is connected to the electricity supply.
4. The green ready light will come on when the elements reach the correct cooking temperature, then cycle on and off with the thermostat.
5. Wait till the green light comes on before starting to cook.

MAKING TOASTIES (sandwich plates)

CAUTION: Don't use raw meat of any kind in the appliance. All fillings must be safe and ready-to-eat before cooking.

1. Cut 4 slices of bread to overlap the plates by about 1/4 inch (0.5cm) on all sides. Fresh sliced bread is best.
2. Spread butter/margarine thinly on each slice. Don't use low fat spread. Low fat spreads may burn, damaging the non-stick surfaces.
3. Toasties are made **buttered side out**. Put 2 slices of bread, buttered side down, on the bottom toasting plate.
4. Press the bread gently into the hollows in the toasting plate with a wooden spoon.
5. Fill the hollows formed in the bread with two level teaspoons of filling per toastie. More than that amount may cause the filling to ooze out.

6. Lay a slice of bread, buttered side up, on top of each of the filled slices.
7. Close the lid, squeeze the handles together, and press in the latch.
8. Cook for 4-5 minutes, or until the outside of the bread turns golden brown.
9. If the toasties stick, use a plastic or wooden spatula to release them.

Savory filling ideas

Ham and cheese

Smoked ham and gouda

Cheese and onion/celery/apple

Chicken (cooked) and mushroom

Bacon (cooked) and tomato

Peanut butter, basil, and tomato

Sweet filling ideas

Apple and cinnamon

Apple and raspberries

Banana and honey

Banana and butterscotch sauce

Cherry and almonds

Peanut butter and jelly

Variations

Use pastry, pizza base, or ciabatta instead of ordinary bread; try garlic or herb butter.

GRILLING (ribbed plates)

1. Cut the food to be grilled no more than 3/8 inch (10mm) thick.
2. Wipe the grill plates with a little cooking oil or butter. Don't use low fat spread - it may burn on to the grill.
3. Lay the food on the bottom grill plate with a spatula or tongs, not fingers. Don't use anything metal or sharp, you'll damage the non-stick surfaces.
4. Close the grill. Don't use the latch.
5. Allow time for the food to cook and check for doneness after 5 minutes. Continue to cook until done. Times will vary depending on the type of food.

Please note: To ensure meat is fully cooked, the USDA recommends: Use a meat thermometer by inserting it into the center of the meat. Make sure it's not touching bone, fat, or gristle.

The safe minimum internal temperature for beef, veal, pork, and lamb (pieces and whole cuts) is 145°F (63°C). Then allow the meat to rest for three minutes before cutting or consuming.

Ground meat should be cooked to 160°F (72°C). Poultry should be cooked to 165°F (74°C). Ground meat and poultry don't require a rest time.

WAFFLES (waffle plates)

1. Prepare the batter.
2. Pour about 3 Tbsp. (40ml) of mixture over each half of the bottom plate.
3. Close the grill. Don't use the latch.
4. Grill the waffles until golden brown (check after 3 minutes).

CARE AND CLEANING

This product contains no user serviceable parts. Refer service to qualified service personnel.

1. Unplug the appliance and let it cool before cleaning and storing.
2. Wash the plates in warm water with dish soap or in the dishwasher. Wipe dry.
3. Wipe outside of unit with a warm, wet sponge. Dry with soft, dry cloth.
 - Don't put the appliance in water or any other liquid.
 - Don't use harsh or abrasive cleaning agents or solvents.
 - Don't use scourers, wire wool, or soap pads.

At the places where the top and bottom toasting plates make contact, the non-stick surfaces may show signs of wear. This is purely cosmetic, and will not affect the operation of the appliance.

RECIPES

Snickerdoodle Waffle

A classic, waffled: *The cinnamon and sugar of a snickerdoodle cookie turned into a waffle, perfect for a fun morning with the kids.*

Prep Time: 15 minutes
Cook Time: 40 minutes
Total Time: 55 minutes

Servings: 6
Serving Size: 1 waffle

Waffle Ingredients:

| | |
|------------------------------------|----------------------------|
| 1/2 cup (1 stick) butter, softened | 1 tsp. baking powder |
| 3/4 cup granulated sugar | 1 1/2 tsp. cream of tartar |
| 1/2 cup packed light brown sugar | 2 tsp. cinnamon |
| 2 eggs | 1/4 tsp. salt |
| 1 tsp. vanilla | 1/2 cup whole milk |
| 1 1/2 cups flour | |

Cinnamon Sugar Ingredients:

3 Tbsp. granulated sugar
2 tsp. cinnamon

Directions:

1. Insert waffle plates into sandwich maker; preheat sandwich maker.
2. In a large bowl, cream the butter. Add the sugars and mix until incorporated.
3. Add the eggs and vanilla and mix until combined.
4. In a medium bowl, whisk together the flour, baking powder, cream of tartar, cinnamon and salt.
5. Add half of the dry mixture to the wet mixture and stir to combine. Pour in half of the milk and stir to incorporate. Repeat with the remaining dry mixture and milk.
6. In a small bowl, stir together the cinnamon sugar ingredients.
7. Grease the preheated waffle plates with cooking spray and spoon 1/3 cup batter into the center of each waffle section.
8. Sprinkle with 1 tsp. cinnamon sugar mix and close the lid.
9. Cook for 12-13 minutes until waffles are golden brown.
10. Drizzle with maple syrup, if desired, and serve warm.

Hot Ham and Cheese Breakfast Sandwich

Best Breakfast: *Make the traditional hot ham and cheese even more epic with scrambled eggs and a tangy Dijon sauce.*

Prep Time: 15 minutes
Cook Time: 30 minutes
Total Time: 45 minutes
Servings: 4

Serving Size: 1 sandwich

Ingredients:

| | |
|------------------------|----------------------------------|
| 1 Tbsp. butter | 1/4 tsp. salt |
| 4 eggs, beaten | 1/4 tsp. pepper |
| 3 Tbsp. Dijon mustard | 8 slices deli ham |
| 2 Tbsp. honey | 4 slices sharp cheddar cheese |
| 1 Tbsp. Worcestershire | 4 bakery croissants, cut in half |
| 1 tsp. minced garlic | |

Directions:

1. Insert sandwich plates into sandwich maker; preheat sandwich maker.
2. In a large skillet, melt the butter over medium heat. Add the eggs and scramble until just cooked through, about 2-3 minutes. Remove from heat and set aside.
3. In a small bowl, stir together the mustard, honey, Worcestershire, garlic, salt and pepper.
4. Spread the honey mustard sauce on the cut sides of the croissants. On the bottom halves of the croissants, layer the scrambled eggs and ham. Add cheese then place the remaining croissant halves on each sandwich.
5. Place one sandwich in the preheated sandwich plates and close the lid.
6. Cook for 7-8 minutes until cheese is melted and croissant is crispy. Repeat with remaining sandwiches.
7. Enjoy with a side of fruit and OJ or coffee.

Maple Bacon Cornbread

The sweetness of maple syrup combined with the saltiness of bacon is a match made in hog heaven.

Prep Time: 5 minutes

Servings: 8

Cook Time: 25 minutes

Serving Size: 1 piece of cornbread

Total Time: 30 minutes

Ingredients:

| | |
|--------------------------------|---------------------------------|
| 1 (8.5 oz) box corn muffin mix | 3 Tbsp. pure maple syrup |
| 1 egg | 1 tsp. maple extract |
| 1/3 cup milk | 4 slices cooked bacon, crumbled |

Directions:

1. Insert griddle plates into sandwich maker; preheat sandwich maker.
2. In a large bowl, stir together corn muffin mix, egg and milk. Add maple syrup and maple extract and stir to combine. Fold in crumbled bacon.
3. Grease the preheated griddle plates with cooking spray and spoon 2 Tbsp. mixture into the center of the plates. (It will spread out as it cooks.)
4. Close the lid and cook for 11-13 minutes until cornbread is golden brown. Repeat with remaining batter.
5. Serve with your favorite chili recipe.

Breakfast Pizza Waffle

***Pizza for Breakfast:** Take this spin on breakfast pizza to the next level by waffling hashbrowns to crispy perfection.*

Prep Time: 5 minutes
Cook Time: 40 minutes
Total Time: 45 minutes

Servings: 5
Serving Size: 1 waffle

Waffle Ingredients:

| | |
|--|---|
| 1/2 cup (1 stick) butter, melted | 1/2 tsp. salt |
| 4 cups frozen Hashbrowns, not thawed* | 1/2 tsp. pepper |
| 2 eggs, beaten | 2 tsp. pizza seasoning |
| 1/4 cup flour | 1/2 cup crumbled cooked turkey sausage |
| 1/2 tsp. baking powder | 1/2 cup pizza shredded cheese |

*Tip: keeping the hashbrowns cold will help to keep them from sticking in the waffle maker.

Directions:

1. Insert waffle plates into sandwich maker; preheat sandwich maker.
2. In a large bowl, stir together the melted butter, hashbrowns and eggs until hashbrowns are well coated.
3. Add the remaining ingredients and stir to combine.
4. Grease the preheated waffle plates with cooking spray and spoon 1/2 cup batter into the center of each waffle section.
5. Close the lid and cook for 12-14 minutes until waffles are golden brown. Repeat with remaining batter.
6. Serve with pizza sauce for dipping.

Por favor lea este instructivo antes de usar el producto.

INSTRUCCIONES IMPORTANTES DE SEGURIDAD

Cuando se utilizan aparatos eléctricos, siempre se debe respetar ciertas medidas de seguridad a fin de reducir el riesgo de un incendio, un choque eléctrico y (o) lesiones a las personas, incluyendo las siguientes:

- Por favor lea todas las instrucciones.
- No toque las superficies calientes, utilice las asas o las perillas.
- Con el fin de protegerse contra el riesgo de un choque eléctrico, no sumerja el cable, el enchufe ni ninguna otra parte de esta parrilla/waflera en agua ni en ningún otro líquido.
- Todo aparato que se use cerca de menores de edad o por ellos mismos requiere mucha supervisión.
- Desconecte la unidad del tomacorriente antes de limpiarla y cuando no esté en uso. Permita que se enfríe antes de limpiarla.
- No opere ningún aparato si el cable o el enchufe presentan cualquier desperfecto, si la unidad no funciona bien o se ha dejado caer o si ha sufrido daño de cualquier naturaleza. Devuelva el producto al centro de servicio autorizado más cercano para que lo examinen, reparen o realicen cualquier ajuste electrónico o mecánico, o llame al número apropiado gratis que aparece en la portada de este manual
- El uso de accesorios no recomendados por el fabricante del producto puede ocasionar incendio, choque eléctrico o lesiones personales.
- Para desconectar, gire la perilla de control a la posición de apagado (OFF), luego sujete el enchufe y retírelo del tomacorriente. No le de un tirón al cable.
- No use aparato a la intemperie.
- No permita que el cable cuelgue del borde de la mesa o del mostrador ni que entre en contacto con superficies calientes incluyendo la estufa.
- No coloque la unidad sobre ni cerca de una hornilla de gas o eléctrica, ni dentro de un horno caliente.
- Se debe utilizar precaución extrema al mover un aparato que contenga alimentos o líquidos calientes.
- No use la unidad con otro fin más que para lo que ha sido diseñada.
- Utilice este aparato solo en la posición cerrada.
- Este aparato no está diseñado para ser usado por personas (incluido niños) con capacidad limitada física, mental o sensoriales disminuidas y falta de experiencia o conocimiento que les impida utilizar el aparato con toda seguridad sin supervisión o instrucción.
- Se debe asegurar la supervisión de los niños para evitar que usen el aparato como juguete.
- Este aparato no está diseñado para operar por medio de un temporizador externo o control remoto.

CONSERVE ESTAS INSTRUCCIONES.

Este aparato eléctrico es para uso doméstico solamente.

ENCHUFE POLARIZADO

Este aparato cuenta con un enchufe polarizado (un contacto es más ancho que el otro). A fin de reducir el riesgo de un choque eléctrico, este enchufe encaja en un tomacorriente polarizada en un solo sentido. Si el enchufe no entra en el tomacorriente, inviértalo y si aun así no encaja, consulte con un electricista. Por favor no trate de alterar esta medida de seguridad.

TORNILLO DE SEGURIDAD

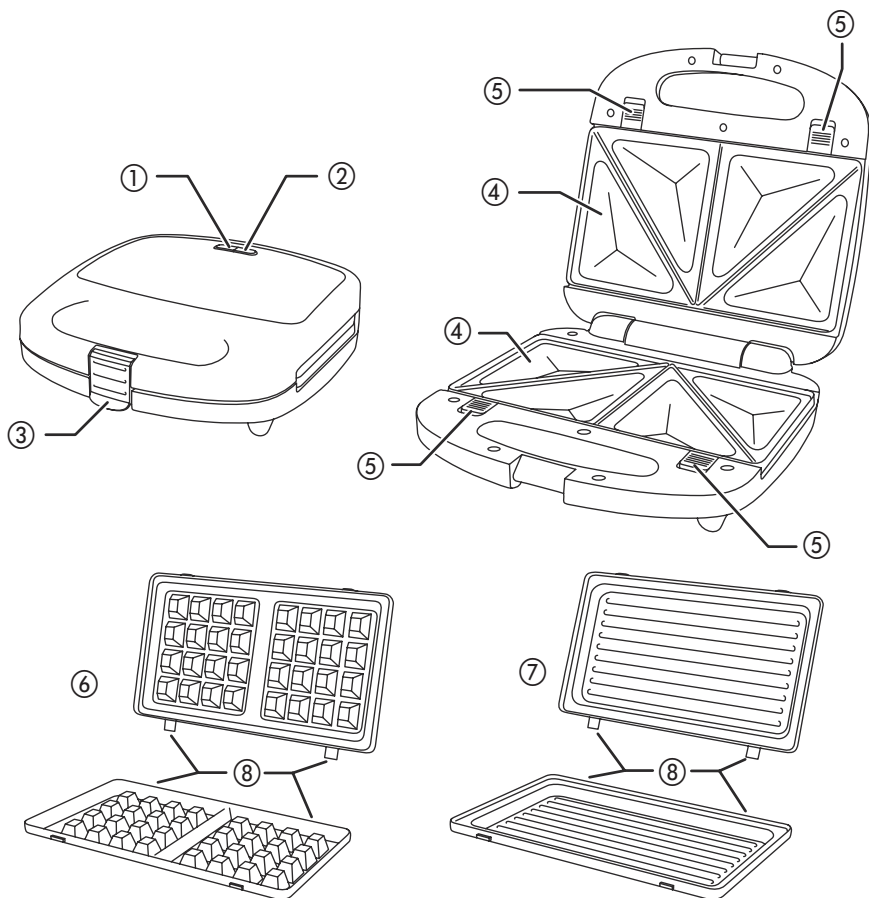
Advertencia: Este aparato cuenta con un tornillo de seguridad para evitar la remoción de la cubierta exterior del mismo. A fin de reducir el riesgo de incendio o de choque eléctrico, por favor no trate de remover la cubierta exterior. Este producto no contiene piezas reparables por el consumidor. Toda reparación se debe llevar a cabo únicamente por personal de servicio autorizado

CABLE ELÉCTRICO

- a) Un cable de alimentación corto es provisto para reducir los riesgos de enredarse o tropezar con un cable más largo.
- b) Existen cables de extensión disponibles y estos pueden ser utilizados si se toma el cuidado debido en su uso.
- c) Si se utiliza un cable de extensión:
 - 1) La clasificación eléctrica marcada del cable de extensión debe ser, como mínimo, igual a la clasificación eléctrica del aparato;
 - 2) Si el aparato es del tipo de conexión a tierra, el cable de extensión debe ser un cable de tres alambres de conexión a tierra; y
 - 3) El cable debe ser acomodado de manera que no cuelgue del mostrador o de la mesa para evitar que un niño tire del mismo o que alguien se tropiece sin darse cuenta.

Nota: Si el cable de alimentación está dañado, por favor llame al número del departamento de garantía que aparece en estas instrucciones.

CONOZCA SU ESTACIÓN DE COMIDAS MULTIUSOS 3 EN 1™



1. Luz de funcionamiento (roja)
2. Luz de listo (verde)
3. Palanca (pieza no. WM2000-04)
4. Placas para sándwiches
5. Botones de liberación
6. Placas para waffles (pieza no. WM2000-02)
7. Placas acanaladas (pieza no. WM2000-03)
8. Lengüetas

El producto puede variar ligeramente del que aparece ilustrado aquí.

COMO USAR

Este aparato es solamente para uso doméstico.

PRIMEROS PASOS

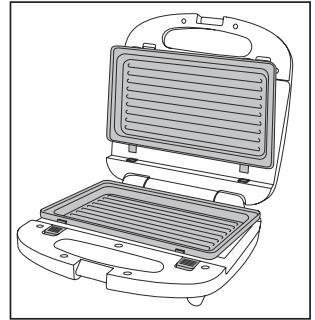
- Retire todo material de empaque, etiquetas y la banda plástica alrededor del enchufe.
- Retire y conserve la literatura.
- Por favor visite www.prodprotect.com/blackanddecker para registrar su garantía.
- Antes del primer uso, limpie el aparato y las placas de cocción de acuerdo a las instrucciones descritas en la sección de CUIDADO Y LIMPIEZA de este manual.

INSTALACIÓN DE LAS PLACAS

Importante: Nunca active este aparato sin que ambas placas de cocción estén instaladas aseguradamente.

Precaución: Instale las placas cuando el aparato esté frío.

1. Para instalar la placa superior, inserte las lengüetas más largas dentro de las ranuras más cercanas a la bisagra. Presione ligeramente hasta que la placa encaje en su lugar.
2. Instale de manera segura la placa inferior, utilizando el procedimiento descrito en el paso 1.



PREPARACIÓN

Nota: Aceite para cocinar en aerosol no debe ser utilizado en las placas de cocción.

1. Coloque el aparato sobre una superficie estable, nivelada, a prueba de calor.
2. Cierre la tapa y enchufe el cable de alimentación a un tomacorriente.
3. La luz roja de funcionamiento se iluminará siempre y cuando el aparato esté conectado a la electricidad.
4. La luz verde de listo se iluminará cuando los elementos de calor alcancen la temperatura de cocción adecuada, luego se encenderá y apagará con el termostato.
5. Espere hasta que la luz verde se ilumine antes de comenzar a cocinar.

PREPARACIÓN DE SÁNDWICHES TOSTADOS (placas para sándwiches)

PRECAUCIÓN: No utilice ningún tipo de carne cruda en el aparato. Todos los rellenos deben ser frescos y estar listos para comer antes de la cocción.

1. Corte 4 rebanadas de pan que sobresalgan de las placas aproximadamente 1/4 de pulgada (0.5cm) por todos los lados. El pan fresco brinda los mejores resultados.

2. Unte una capa fina de mantequilla/margarina en cada rebanada. No utilice mantequilla ni margarina baja en grasa. Éstas pueden quemar y dañar las superficies antiadherentes.
3. Los sándwiches tostados se cocinan con el **lado enmantequillado mirando hacia afuera**. Coloque 2 rebanadas de pan, con el lado enmantequillado mirando hacia abajo, en la placa inferior.
4. Utilizando una cuchara de madera, presione el pan ligeramente dentro las secciones ahuecadas en la placa.
5. Llene los ahuecados formados en el pan con 2 cucharaditas de relleno al ras por cada sándwich tostado. Si se utiliza más de esta cantidad, esto puede causar que el relleno se salga.
6. Coloque una rebanada de pan, con el lado enmantequillado hacia arriba, encima de cada rebanada rellena.
7. Cierre la tapa, junte las asas y presione la palanca.
8. Cocine por 4 a 5 minutos o hasta que el lado exterior del pan se dore.
9. Si los sándwiches tostados se pegan, use una espátula plástica o de madera para despegarlos de la placa de cocción.

Ideas para rellenos sabrosos

| | |
|------------------------------|--|
| Jamón y queso | Pollo (cocinado) y champiñones |
| Jamón ahumado y queso gouda | Tocino (cocinado) y tomate |
| Queso y cebolla/apio/manzana | Mantequilla de maní, albahaca y tomate |

Ideas para rellenos dulces

| | |
|----------------------|---------------------------------|
| Manzana y canela | Plátano y salsa “butterscotch” |
| Manzana y frambuesas | Cerezas y almendras |
| Plátano y miel | Mantequilla de maní y mermelada |

Variantes

Use pan de pastel, pizza o ciabatta en vez de pan común; pruebe con pan de ajo o mantequilla con hierbas.

COCCIÓN A LA PARRILLA (placas acanaladas)

1. Corte el alimento a cocinar no más de $\frac{3}{8}$ de pulgada (10mm) de grosor.
2. Unte un poco de aceite para cocinar o mantequilla en las placas de parrilla. No unte aceite ni mantequilla bajo en grasa—éste puede quemarse sobre la placa de parrilla.
3. Coloque los alimentos en la placa de parrilla inferior utilizando una espátula o pinzas de cocina; nunca los dedos. No utilice ningún otro tipo de material ni utensilio afilado, esto dañará las superficies antiadherentes.
4. Cierre la parrilla. No utilice la palanca.
5. Dele tiempo a los alimentos para que se cocinen y verifique el punto de cocción después de haber pasado 5 minutos. Continúe cocinando hasta que estén cocinados. Los tiempos de cocción variarán dependiendo del tipo de alimento.

Por favor tome en cuenta: Para asegurarse de que la carne esté cocinada completamente, el Departamento de Agricultura de los Estados Unidos (USDA) recomienda: Utilizar un termómetro para carnes, insertándolo en el centro de la carne. Asegúrese de que el termómetro no toque el hueso, la grasa ni el cartílago.

La temperatura interna mínima adecuada para carne de res, ternera, cerdo y cordero (piezas y cortes completos) es de 145°F (63°C). Luego permita que la carne repose por 3 minutos antes de cortarla o consumirla.

La carne molida debe ser cocinada a una temperatura de 160°F (72°C). Las aves deben ser cocinadas a una temperatura de 165°F (74°C). La carne molida y las aves no requieren tiempo de reposo.

WAFFLES (placas para waffles)

1. Prepare la mezcla.
2. Vierta alrededor de 3 cucharadas (40ml) de la mezcla sobre cada mitad de la placa inferior.
3. Cierre el aparato. No utilice la palanca.
4. Cocine los waffles hasta que estén dorados (después de 3 minutos, revíselos).

CUIDADO Y LIMPIEZA

Este producto no contiene piezas que deban ser reparadas por el usuario. Para obtener servicio, comuníquese con personal de servicio calificado.

1. Desenchufe el aparato y déjelo enfriar antes de limpiar y almacenarlo.
2. Lave las placas en agua caliente con líquido de fregar o en la máquina lavaplatos. Séquelas bien.
3. Limpie el exterior de la unidad con una esponja mojada en agua caliente. Seque con un paño suave y seco.
 - No coloque el aparato en agua ni en ningún otro líquido.
 - No utilice agentes limpiadores abrasivos ni con químicos.
 - No utilice estropajos de metal ni almohadillas de jabón.

En las áreas donde la placa superior e inferior hacen contacto, podría ocurrir que las superficies antiadherentes muestren señales de desgaste. Esto solo afectará la apariencia y no el funcionamiento del aparato.

RECETAS

Waffle de Azúcar de Canela (“Snickerdoodle”)

Un clásico, hecho en waffle: La canela y azúcar de una galletica “snickerdoodle” convertida en un waffle, perfecto para disfrutar una mañana divertida con los niños.

Tiempo de preparación: 15 minutos

Tiempo de cocción: 40 minutos

Tiempo total: 55 minutos

Porciones: 6

Tamaño de la porción: 1 waffle

Ingredientes para los waffles:

1/2 taza (1 barra) de mantequilla,
ablandada

3/4 taza de azúcar granulada

1/2 taza de azúcar moreno clara,
compacta

2 huevos

1 cucharadita de vainilla

1 1/2 tazas de harina

1 cucharadita de polvo de hornear

1 1/2 cucharadita de cremor tártaro

2 cucharaditas de canela

1/4 cucharadita de sal

1/2 taza de leche

Ingredientes para la azúcar de canela:

3 cucharadas de azúcar granulada

2 cucharaditas de canela

Preparación:

1. Instale las placas para waffles en la sandwichera; precaliente la sandwichera.
2. En un recipiente grande, acream la mantequilla. Añada los dos tipos de azúcar y mezcle hasta que queden incorporadas.
3. Añada los huevos y la vainilla y mezcle hasta que estén combinados.
4. En un recipiente mediano, bata la harina, el polvo de hornear, el cremor tártaro, la canela y la sal.
5. Añada la mitad de la mezcla seca a la mezcla mojada y revuelva para mezclarlas. Vierta la mitad de la leche y revuelva para incorporarla. Repita con el resto de la mezcla seca y la leche.
6. En un recipiente pequeño, revuelva los ingredientes de la canela de azúcar.
7. Engrase las placas para waffles precalentadas con aceite para cocinar en spray y utilizando una cuchara, vierta 1/3 de taza de la mezcla en el centro de cada sección de waffle.
8. Espolvoree con 1 cucharadita de la mezcla de azúcar de canela y cierre la tapa.
9. Cocine por 12 a 13 minutos hasta que los waffles estén dorados.
10. Rocíe con sirope de arce, si lo desea, y sirva caliente.

Sándwich Caliente de Jamón y Queso para Desayuno

El mejor desayuno: Prepare el sándwich tradicional de jamón y queso de manera aún más genial, con huevos revueltos y una salsa agridulce de mostaza Dijon.

Tiempo de preparación: 15 minutos

Tiempo de cocción: 30 minutos

Tiempo total: 45 minutos

Porciones: 4

Tamaño de la porción: 1 sándwich

Ingredientes:

1 cucharada de mantequilla

4 huevos, batidos

3 cucharadas de mostaza Dijon

2 cucharadas de miel

1 cucharada de salsa Worcestershire

1 cucharadita de ajo bien picadito

1/4 cucharadita de sal

1/4 cucharadita de pimienta

8 rebanadas de jamón de Deli

4 rebanadas de queso cheddar sabor fuerte

4 croissants de la panadería, cortados a la mitad

Preparación:

1. Instale las placas para sándwiches en la sandwichera; precaliente la sandwichera.
2. En un sartén grande, derrita la mantequilla a temperatura mediana. Añada los huevos y revuélvalos hasta que estén casi cocinados, alrededor de 2 a 3 minutos. Retire del calor y deje a un lado.
3. En un recipiente pequeño, revuelva la mostaza, la miel, la salsa Worcestershire, el ajo, la sal y la pimienta.
4. Esparza la salsa de miel y mostaza sobre los lados cortados de los croissants. En las mitades inferiores de los croissants, acomode los huevos revueltos y el jamón. Añada el queso y después coloque el resto de las mitades de los croissants en cada sándwich.
5. Coloque un sándwich en las placas precalentadas y cierre la tapa.
6. Cocine por 7 a 8 minutos hasta que el queso esté derretido y el croissant esté crujiente. Repita con el resto de los sándwiches.
7. Disfrute con un acompañante de fruta y jugo de naranja o café.

Pan de Maíz con Tocino de Arce

El sabor dulce del sirope de arce combinado con el sabor salado del tocino, una combinación hecha en el cielo.

Tiempo de preparación: 5 minutos

Tiempo de cocción: 25 minutos

Tiempo total: 30 minutos

Porciones: 8

Tamaño de la porción: 1 pedazo de pan de maíz

Ingredientes:

1 (8.5 oz) caja de mezcla de harina para panquecitos de maíz

1 huevo

1/3 taza de leche

3 cucharadas de sirope de arce puro

1 cucharadita de extracto de arce

4 tiras de tocino cocinado, desmoronado

Preparación:

1. Instale las placas de parrilla en la sandwichera; precaliente la sandwichera.
2. En un recipiente grande, revuelva la mezcla de harina para panquecitos de maíz, el huevo y la leche. Añada el sirope de arce y el extracto de arce y revuelva para combinarlos. Incorpore el tocino desmoronado.
3. Engrase las placas de parrilla con aceite en spray y utilizando una cuchara, vierta 2 cucharadas de la mezcla en el centro de cada placa. (La mezcla se esparcerá mientras se cocina.)
4. Cierre la tapa y cocine por 11 a 13 minutos hasta que el pan de maíz se dore. Repita el proceso con el resto de la mezcla.
5. Sirva con su receta favorita de chili.

Waffle de Pizza para Desayuno

Pizza para el desayuno: *Lleve a un nuevo nivel este giro en pizza para el desayuno al preparar waffles de papas ralladas, perfectamente crujientes.*

Tiempo de preparación: 5 minutos

Porciones: 5

Tiempo de cocción: 40 minutos

Tamaño de la porción: 1 waffle

Tiempo total: 45 minutos

Ingredientes para los waffles:

1/2 taza (1 barra) de mantequilla, derretida

1/2 cucharadita de sal

1/2 cucharadita de pimienta

4 tazas de papas ralladas congeladas, sin descongelar*

2 cucharaditas de sazón para pizza

2 huevos, batidos

1/2 taza de salchicha de pavo, cocinada y desmoronada

1/4 taza de harina

1/2 taza de queso rallado para pizza

1/2 cucharadita de polvo de hornear

*Consejo: Mantener las papas ralladas frías ayudará a evitar que se peguen en la waflera.

Preparación:

1. Instale las placas para waffles en la sandwichera, precaliente la sandwichera.
2. En un recipiente grande, revuelva la mantequilla derretida, las papas ralladas y los huevos hasta que las papas ralladas estén bien cubiertas.
3. Añada el resto de los ingredientes y revuelva bien para combinarlos.
4. Engrase las placas para waffles con aceite para cocinar en spray y utilizando una cuchara, vierta 1/2 taza de la mezcla en el centro de cada sección para waffle.
5. Cierre la tapa y cocine por 12 a 14 minutos hasta que los waffles estén dorados. Repita el proceso con el resto de la mezcla.
6. Sirva con salsa de pizza para mojar.

PÓLIZA DE GARANTÍA

(Válida sólo para México)

Duración

Spectrum Brands de México, SA de CV garantiza este producto por 2 años a partir de la fecha original de compra.

¿Qué cubre esta garantía?

- Esta Garantía cubre cualquier defecto que presenten las piezas, componentes y la mano de obra contenidas en este producto.
- Requisitos para hacer válida la garantía
- Para reclamar su Garantía deberá presentar al Centro de Servicio Autorizado la póliza sellada por el establecimiento en donde adquirió el producto. Si no la tiene, podrá presentar el comprobante de compra original.

¿Donde hago válida la garantía?

- Llame sin costo al teléfono **01 800 714 2503**, para ubicar el Centro de Servicio Autorizado más cercano a su domicilio en donde usted podrá encontrar partes, componentes, consumibles y accesorios.

Procedimiento para hacer válida la garantía

Acuda al Centro de Servicio Autorizado con el producto con la póliza de Garantía sellada o el comprobante de compra original, ahí se reemplazará cualquier pieza o componente defectuoso sin cargo alguno para el usuario final. Esta Garantía incluye los gastos de transportación que se deriven de su cumplimiento.

Excepciones

Esta Garantía no será válida cuando el producto:

- A) Se hubiese utilizado en condiciones distintas a las normales.
- B) No hubiese sido operado de acuerdo con el instructivo de uso que le acompaña.
- C) Cuando el producto hubiese sido alterado o reparado por personas no autorizadas por Spectrum Brands de México, SA de CV.

Nota: Usted podrá encontrar partes, componentes, consumibles y accesorios en los centros de servicios autorizados. Esta garantía incluyen los gastos de transportación que se deriven de sus cumplimiento dentro de sus red de servicio.

¿Existen exclusiones de garantía adicionales?

- **Esta garantía no será válida donde exista oposición a EE.UU. y otras leyes aplicables, o donde la garantía sería prohibida bajo cualquier sanción económica, ley de control de exportación, embargo u otra medida comercial impuesta por los Estados Unidos u otras jurisdicciones aplicables. Esto incluye, sin limitación, cualquier reclamo de garantía que implique partes de, u de otro modo localizadas en, Cuba, Irán, Corea del Norte, Siria y la región disputada de Crimea.**

¿NECESITA AYUDA?

Para servicio, reparaciones o preguntas relacionadas al producto, por favor llame al número del centro de servicio que se indica para el país donde usted compró su producto. **NO** devuélva el producto al fabricante. Llame o lleve el producto a un centro de servicio autorizado.

DOS AÑOS DE GARANTÍA LIMITADA (No aplica en México, Estados Unidos y Canada)

¿Qué cubre la garantía?

- La garantía cubre cualquier defecto de materiales o de mano de obra que no haya sido generado por el uso incorrecto del producto.

¿Por cuánto tiempo es válida la garantía?

- Por dos años a partir de la fecha original de compra mientras que tenga una prueba de la compra.

¿Cómo se obtiene el servicio necesario?

- Conserve el recibo original como comprobante de la fecha de compra, comuníquese con el centro de servicio de su país y haga efectiva su garantía si cumple lo indicado en el manual de instrucciones.

¿Cómo se puede obtener servicio?

- Conserve el recibo original de compra.
- Por favor llame al número del centro de servicio autorizado.

¿Qué aspectos no cubre esta garantía?

- Los productos que han sido utilizados en condiciones distintas a las normales.
- Los daños ocasionados por el mal uso, el abuso o negligencia.
- Los productos que han sido alterados de alguna manera.
- Los daños ocasionados por el uso comercial del producto.
- Los productos utilizados o reparados fuera del país original de compra.
- Las piezas de vidrio y demás accesorios empacados con el aparato.
- Los gastos de tramitación y embarque asociados al reemplazo del producto.
- Los daños y perjuicios indirectos o incidentales.

¿Qué relación tiene la ley estatal con esta garantía?

- Esta garantía le otorga derechos legales específicos y el consumidor podría tener otros derechos que varían de una región a otra.

Por favor llame al número correspondiente que aparece en la lista a continuación para solicitar que se haga efectiva la garantía y donde Ud. puede solicitar servicio, reparaciones o partes en el país donde el producto fué comprado.

Argentina

Atención al consumidor
0800 444 7296
Horario de atención
Lunes a viernes de 9 a 13 hs
y de 14.30 a 17 hs
Mail: postventa@spectrumbrands.com

Bolivia

Atención al consumidor
La Paz: c. Villalobos N°100 esq.
Busch. Miraflores. Tel. (02) 2224924
Santa Cruz: Av. Paraguá C.
Socoris N°2415 (03) 3602002
Cochabamba: c. Uruguay N°211 esq.
Nataniel Aguirre (04) 4501894

Chile

Atención al consumidor
Inversiones la Mundial Ltda.
Dirección: Libertad 790,
Santiago de Chile.
Teléfonos: +56 226820217 - 226810032

Colombia

Spectrum Brands Corp, S.A.S.
Transversal 23 #97-73
Oficinas 403-404-405,
Bogotá, Colombia
Línea Servicio al Cliente:
018000510012

Costa Rica

Aplicaciones Electromecánicas
Calle 22 y 24 en Avenida 3 BLV
de la torre Mercedes Benz
200 mts norte y 50 mts este
San José, Costa Rica
Tel. (506) 2257-5716

Ecuador

Servicio Master
Dirección: Capitán Rafael
Ramos OE 1-85 y Galo plaza Iasso.
Tel (593) 2281-3882 / 2240-9870

El Salvador

Sedeblock
Calle San Antonio Abad, Colonia Lisboa
No 2936 San Salvador, Depto. de San
Salvador
Tel. (503) 2284-8374

Guatemala

Kinal
17 avenida 26-75, zona 11 Centro

comercial Novicentro,
Local 37 - Ciudad
Guatemala
Tel. (502)-2476-736

onduuras

Serviteca
San Pedro Sula, B Los Andes,
2 calle-entre 11-12 Avenida Honduras
Tel. (504) 2550-1074

México

Artículo 123 # 95 Local 109 y 112
Col. Centro, Cuauhtemoc,
México, D.F.
Tel. 01 800 714 2503

Nicaragua

LRM ELECTRONICA
Managua - Sinsa Altamira 1.5
kilómetros al norte
Nicaragua
Tel. (505) 2270-2684

Panamá

Supermarcas
Centro comercial El dorado, Plaza
Dorado, Local 2.
Panama
Tel. (507) 392-6231

Perú

Servicio Central Fast Service
Av. Angamos Este 2431
San Borja, Lima Perú
Tel. (511) 2251 388

Puerto Rico

Buckeye Service
Jesús P. Piñero #1013
Puerto Nuevo, SJ PR 00920
Tel.: (787) 782-6175

Republica Dominicana

Prolongación Av. Rómulo
Betancourt Zona Industrial de Herrera
Santo Domingo, República Dominicana
Tel.: (809) 530-5409

Venezuela

Inversiones BDR CA
Av. Casanova C.C.
City Market Nivel Plaza Local 153
Diagonal Hotel Melia, Caracas.
Tel. (582) 324-0969

BLACK+DECKER

TM

700 W 120V~ 60 Hz
700 W 220V~ 50 Hz

Sello del Distribuidor:

Fecha de compra:

Modelo:

Código de fecha / Date Code / Le code de date:

COMERCIALIZADO POR:

SPECTRUM BRANDS
DE MEXICO, S.A. DE C.V.
Avenida 1° de Mayo No. 120
Piso 7, Oficina 702.
Colonia San Andres Atoto, C.P.53500
Naucalpan de Juárez,
Estado de México, México
Tel. 01-800-714-2503

SERVICIO Y REPARACIÓN

Art. 123 No. 95
Col. Centro, C.P. 06050
Deleg. Cuauhtemoc

**SERVICIO AL CONSUMIDOR,
VENTA DE REFACCIONES
Y ACCESORIOS**

01 800 714 2503

COMERCIALIZADO POR:

Spectrum Brands de México,
SA de C.V Avenida 1°
de Mayo No. 120
Piso 7, Oficina 702.
Colonia San Andres Atoto,
C.P. 53500
Naucalpan de Juárez,
Estado de México, México

SERVICIO Y REPARACIÓN

Art. 123 No. 95
Col. Centro, C.P. 06050
Deleg. Cuauhtemoc

Servicio al Consumidor,
Venta de Refacciones
y Accesorios
01 800 714 2503

**IMPORTADO
Y DISTRIBUIDO POR:**

Rayovac Argentina S.R.L
Humbolt 2495 Piso #3L
(C1425FUG) C.A.B.A

Argentina
C.U.I.T No. 30-70706168-1
Importador No. 76983

**IMPORTADO POR /
IMPORTED BY:**

AIDISA BOLIVIA S.A.
Av. Chacaltaya
No. 2141-
Zona Achachicala
La Paz, Bolivia.
Teléfono (591)2- 2305353
NIT 1020647023,
Resolución Ministerial
0661-12.

**IMPORTADO POR /
IMPORTED BY:**

Inversiones la Mundial Ltda.
Rut: 78.146.900-9
Libertad 790,
Santiago - Chile
Fono: (562) 26810217
info@ilm.cl

**IMPORTADO POR /
IMPORTED BY:**

Spectrum Brands de México,
SA de C.V
Avenida 1° de Mayo
No. 120 Piso 7, Oficina 702.
Colonia San Andres Atoto,
C.P. 53500
Naucalpan de Juárez,
Estado de México, México
Para atención de garantía
marque:
01 (800) 714 2503

**IMPORTADO POR /
IMPORTED BY:**

Spectrum Brands
Corp, S.A.S.
Transversal 23 #97-73
Oficinas 403-404-405,
Bogotá, Colombia
Línea Servicio al Cliente:
018000510012

BLACK+DECKER and the BLACK+DECKER logos and product names are trademarks of The Black & Decker Corporation, used under license. All rights reserved.

BLACK+DECKER y los logos y nombres de productos de BLACK+DECKER son marcas registradas de The Black & Decker Corporation, usados bajo licencia. Todos los derechos reservados.

All other marks are Trademarks of Spectrum Brands, Inc.

Todas la demás marcas son Marcas Registradas de Spectrum Brands, Inc.

Toutes les autres marques sont des marques de commerce de Spectrum Brands, Inc.

Made in China.

Fabricado en China.

T22-9001980

2020/08/31