

Trim & Fit™ Groomer PG8000

Use and Care Guide



Register Your New Product Today!

By registering your new Remington® product, you will receive special offers.
Register online at: RemingtonProducts.com

IMPORTANT SAFETY INSTRUCTIONS

When using an electrical appliance, basic precautions should always be observed, including the following.

READ ALL INSTRUCTIONS BEFORE USING THIS APPLIANCE.

DANGER

To reduce the risk of electric shock:

- Do not reach for an appliance that has fallen into water. Unplug it immediately.
- Do not use while bathing or in the shower.
- Do not place or drop into water or other liquid.
- Do not place or store this appliance where it can fall or be pulled into a tub or sink.
- Except when charging, always unplug this appliance from the electrical outlet immediately after using.
- Unplug this appliance before cleaning it.

WARNING

To reduce the risk of burns, fire, electric shock or injury to persons:

- This appliance is for household use only.
- An appliance should never be left unattended when it's plugged in, except when charging a rechargeable appliance.
- Close supervision is necessary when this appliance is used by, on, or near children or persons with special needs or certain disabilities.
- Use this appliance only for its intended use as described in this manual.
- Do not use attachments not recommended by Empower Brands, LLC.
- Keep the cord away from heated surfaces.
- Never operate this appliance if it has a damaged cord or plug, if it is not working properly, if it has been dropped or damaged, or if it has been dropped into water.

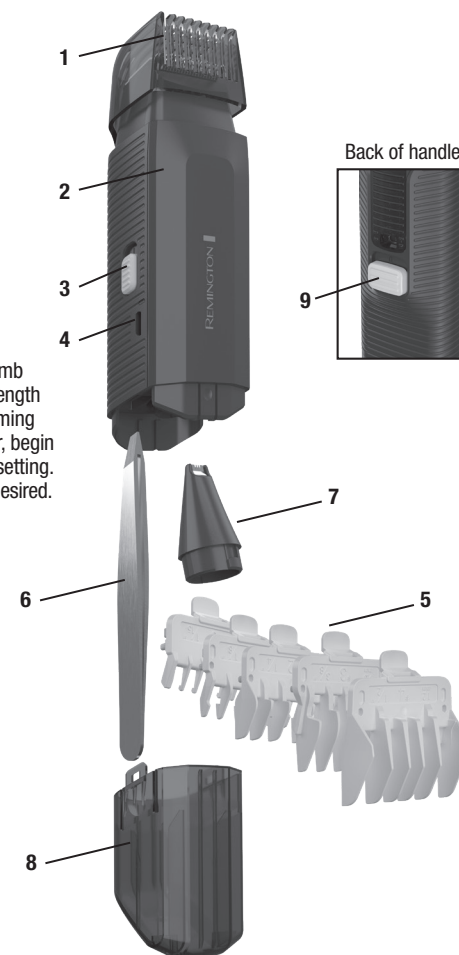
- Never drop or insert any foreign object into any of the appliance's openings.
- Do not use outdoors, or operate where aerosol (spray) products are being used, or where oxygen is being administered.
- Always store this appliance and cord in a moisture-free area. Do not store it in temperatures exceeding 140°F (60°C).
- Do not use this appliance with a damaged or broken cutter unit, as injury may occur. Always make sure blades are aligned properly.
- Always attach plug to appliance, then adapter to outlet. To disconnect, turn all controls to OFF, then remove adapter from outlet, then detach power cord from the clipper for storage.
- Do not use an extension cord or a voltage converter with this appliance.
- Do not wrap the cord around the appliance.

SAVE THESE INSTRUCTIONS

Product Features

1. Adjustable Comb
2. Groomer Body
3. On/Off Switch
4. Charging Input
5. Nesting Fixed Combs
6. Tweezers
7. Detail Trimmer Head
8. Storage Cap
9. Adjustable Comb Lock Switch
10. Adaptor (not shown)

NOTE: The Adjustable Comb attachment has various length settings. When first becoming familiar with the Groomer, begin with a higher numbered setting. Adjust cutting length, as desired.



Before Using

Before using your Groomer for the first time, charge the unit for 16-18 hours for optimal performance:

- Once fully charged, the groomer will run for up to 60 minutes.
- Ensure the product is turned off.
- Connect the Power Adaptor cord to the product. Plug into electrical outlet. The indicator light illuminates when charging. The light stays on when fully charged.

What Attachments to Use

	Detail trimmer	Guide combs	Main trimmer head
Beard		x	x
Beard line		x	x
Ear	x		
Eyebrow	x		
Mustache		x	x
Nape of neck			x
Nose	x		
Sideburns		x	x

How to Use

Note: this product is for cordless use only.

- Switch the product on by sliding the on/off switch.

TO ATTACH AND REMOVE THE TRIMMING ATTACHMENTS

Note: Always ensure the groomer is switched off before changing any attachments.

- To attach, place the desired trimming head on top of the groomer and rotate clockwise to lock into place.
- To remove, rotate the trimmer head counter-clockwise until it unlocks and then lift off the groomer.

ATTACHING AND REMOVING FIXED COMBS ON THE FULL SIZE TRIMMER BLADE To Attach

- With the trimmer blade facing away from you, hook front of comb onto blade teeth and push back end down until it clicks into position.

To Remove

- With the trimmer blade facing away from you, carefully push the tab on the back of the guide comb upwards and away from the trimmer blade.

ATTACHING AND REMOVING ADJUSTABLE COMB ON THE FULL SIZE TRIMMER BLADE

- To attach line up the comb rails and slot on the groomer until firmly secured. Make sure lock switch is in the unlocked position, attach comb, lock comb at desired position.
- To remove, put switch in unlock position and pull out comb.

BEFORE YOU BEGIN

- Comb facial hair with a fine comb before you start trimming.
- Hairs should be dry and without any waxes or lotions before using the groomer.

TO THIN AND TAPER THE BEARD/MOUSTACHE

- Attach the full size trimmer blade.
- Place either the adjustable comb or a fixed comb on the trimmer blade, select the desired length and switch on.
- Start trimming under the chin, following the jawbone line. Work toward the ear and upper beard line using an upward motion.

TO TRIM EDGE OF BEARD OR MOUSTACHE

- Attach the trimmer blade.
- Hold the groomer with the cutting blade facing you.
- Start with edge of beard/moustache line, and with the cutting blades resting lightly against your skin, use slow movements to create a beard/moustache line.

TO TRIM SIDEBURNS

- Hold the groomer with the cutting blade facing you.
- Select the desired length on the adjustable comb or select the desired guide combs.
- Use light pressure and well-controlled movements to trim hair.

TRIMMING THE NAPE OF YOUR NECK

- Attach the trimmer blade.
- Use your fingers to lift the hair at the base of your head up off the neck. Your index finger should be covering the roots of the hairs you are lifting to prevent accidental removal by trimmer.
- Using your other hand, hold the trimmer to the base of your neck with the cutting unit facing up, and move the trimmer up the length of the neck until it touches your finger covering the hair roots at the base of your head.
- Be sure to move the unit slowly when performing this operation and to keep the hair roots at the base of your head out of the way of the trimmer.

TO REMOVE HAIR FROM NOSE AND EAR

- Attach the nose, ear, and eyebrow trimmer.
- Insert the groomer's cutting unit gently into the nostril or ear.
- Gently move the groomer in and out of the nostril or ear and at the same time rotate the groomer.
- Avoid inserting the cutting unit more than 6mm into your nostril.

TO REMOVE HAIR FROM EYEBROWS

- Attach the nose, ear, eyebrow attachment.
- Gently guide the cutting unit to stray, unwanted hairs along the eyebrow line or protruding from the eyebrow itself.
- To remove the hairs completely lower onto the skin and move over desired area.
- Use short, well-controlled movements.

USING THE DETAIL ATTACHMENT

- Hold the groomer with the cutting blade facing you.
- Rest cutting blades lightly on the skin.
- Use for more precise trimming of stray hairs or smaller areas.

TIPS FOR BEST RESULTS

- Comb your hair in the direction that it grows so that the hairs are at their maximum height and facing in the same direction.
- Since all hairs do not grow in the same direction, you may want to try different trimming positions (i.e. upwards, downwards or across) for better results.

HOW TO STORE ATTACHMENTS

- Remove bottom case from unit by pushing on side tabs to release.
- Tweezers are inserted and stored in compartment inside of main unit to the left.
- Detail trimmer is inserted and stored in compartment inside of main unit to the right.
- Nested beard combs get stacked from smallest to largest (see "Product Features") and inserted into bottom cap.
- Slide cap onto bottom of unit, until it snaps securely into place.

NOTE: Combs can only be inserted in one direction.

Cleaning, Care and Maintenance

NOTE: Always clean Grooming System attachments regularly to ensure maximum performance and a proper operating life.

CLEANING ATTACHMENTS WITH WATER

1. Remove attachment.
2. Rinse **ONLY** the attachment under warm running water. Do NOT use hot water as this might cause damage. Do NOT rinse trimmer body.

CLEANING ATTACHMENTS WITH BRUSH

- After first removing attachment, thoroughly brush and blow out hair clippings from cutting system, attachment, and top of power handle.

OILING BLADES AND CAUTIONS

- Rinsing attachments under water (above) requires lubricating the cutting blades 1x monthly. Using only light-grade oils (e.g. sewing machine oil), simply spread 1–2 drops lightly over cutters with fingertip. Wipe away all excess.
- Periodically oil the blades for optimal performance.
- Use only light-grade oils as these will not evaporate nor slow down speed of cutting blades.
- Do not use hair oil, grease, nor any oil mixed with kerosene or solvent, as these too will evaporate.

Troubleshooting

Q: WHAT IF THE CUTTERS DON'T MOVE WHEN TURNED ON?

A: The cutting unit may be dirty or clogged. Clean and lubricate the groomer as described previously.

Q: WHAT IF THE GROOMER DOESN'T WORK AT ALL WHEN TURNED ON?

A: The groomer might simply need charging. Follow instructions for charging as described previously. Should charging prove unsuccessful, contact customer service at 1-800-736-4648 in the U.S. for assistance.

Q: WHAT IF THE GROOMER FAILS TO HOLD A CHARGE?

A: Fully discharge the groomer by running until completely stopping. Next, follow recharging instructions described previously. If time between recharging cycles fails to increase, the battery might require replacement. Contact customer service at 1-800-736-4648 in the U.S. for assistance.

Product Disposal

NOTE: Always recycle or properly dispose of batteries according to Local and State requirements.

1. Unplug groomer from outlet to avoid risk of electrical shock.
2. Remove rear groomer cover by first prying the rubber panel from the product with a flat head screwdriver.
3. Next, pry the back panel from the product with a flat head screwdriver. This will expose the batteries.
4. With wire cutters, clip the wires leading to the batteries.
5. Remove the batteries from the product. Contact your local authorities for proper disposal.

CAUTION: THIS NiMH BATTERY MUST BE RECYCLED OR DISPOSED OF IN ACCORDANCE WITH STATE AND LOCAL REGULATIONS.

Do not burn or mutilate, as they may burst or release toxic materials. Do not short-circuit, as this may cause burns.

Warranty

Limited Three-Year Warranty

Empower Brands, LLC warrants this product to the original purchaser against any defects that are due to faulty material or workmanship for a three-year period from the original date of consumer purchase. This warranty does not include damage to the product resulting from accident or misuse.

If the product should become defective within the warranty period, we will replace it free of charge. Return your product and sales receipt with your name, address and day time phone number to: Remington Returns Center, 507 Stokely Dr., P.O. Box 1, Deforest, WI 53532. For more information call 800-736-4648 in the U.S. or visit RemingtonProducts.com.

KEEP ORIGINAL SALES RECEIPT AS PROOF OF PURCHASE FOR WARRANTY PURPOSES.

This warranty does not cover products damaged by the following:

- Accident, misuse, abuse or alteration of the product
- Servicing by unauthorized persons
- Use with unauthorized accessories
- Connecting it to incorrect current and voltage
- Wrapping cord around appliance causing premature wear and breakage
- Any other conditions beyond our control

No responsibility, obligations, or liability is assumed for the installation or maintenance of this product.

EMPOWER BRANDS, LLC SHALL NOT BE RESPONSIBLE FOR ANY INCIDENTAL, SPECIAL OR CONSEQUENTIAL DAMAGES RESULTING FROM THE USE OF THIS PRODUCT. ALL IMPLIED WARRANTIES, INCLUDING BUT NOT LIMITED TO IMPLIED WARRANTIES OF FITNESS AND MERCHANTABILITY, ARE LIMITED IN DURATION TO THREE YEARS FROM DATE OF ORIGINAL PURCHASE.

This warranty gives you specific legal rights and you may also have other rights which vary from state to state. Some states do not allow the exclusion or limitation of incidental, special or consequential damages.

This warranty shall not be valid where it is contrary to U.S. and other applicable laws, or where the warranty would be prohibited under any economic sanctions, export control laws, embargos, or other restrictive trade measures enforced by the United States or other applicable jurisdictions. This includes, without limitation, any warranty claims implicating parties from, or otherwise located in, Cuba, Iran, North Korea, Syria and the disputed Crimea region.

Empower Brands, LLC Money-back Offer

If within 30 days after you have purchased your Remington® branded product, you are not satisfied and would like a refund, return it with the sales slip indicating purchase price and date of purchase to the retailer from whom it was purchased. Empower Brands, LLC will reimburse all retailers who accept the product within 30 days from the date of purchase. If you have any questions concerning the money-back guarantee, please call 800-736-4648 in the U.S. or visit RemingtonProducts.com.

Remington Guarantees Satisfaction After 30 Days!

Remington 60-Day Money Back Guarantee*

If within 60 days after purchasing any Remington® branded product, you are not completely satisfied and would like a refund, return it with the original dated sales receipt directly to Remington and receive a full refund.** For questions concerning the money-back guarantee, please call 800-736-4648 in the US. *Applies to US customers' returns only. **Terms and conditions apply.

Terms and Conditions

1. Refund will be in the form of a check issued in US Dollars and will be provided only if all Terms and Conditions are met.
2. The following items must be returned to Remington and postmarked no later than 60 days after purchase of the Remington® branded Men's Shave and Groom product:
 - a. The Remington® product;
 - b. The original sales receipt indicating price and date purchased; and
 - c. The completed 60-day money back guarantee form located at **RemingtonProducts.com/60day**.
3. In addition, Remington, in its discretion, must determine that the returned product was used in accordance with the instruction booklet (included with the product at the time of purchase).
4. Returns should be mailed prepaid (no collect returns accepted) to:
Remington 60-Day MBG
507 Stokely Drive, Box 1
DeForest, WI 53532
5. Refund does not include postage costs for the return of the product, but will include applicable taxes paid by customer, if any.
6. No responsibility will be accepted for late, lost, stolen, misdirected or damaged product.
7. Please allow 4-6 weeks to receive your refund by check.

This device complies with part 15 of the FCC Rules. Operation is subject to the following two conditions: (1) This device may not cause harmful interference, and (2) this device must accept any interference received, including interference that may cause undesired operation.

Changes or modifications not expressly approved by the party responsible for compliance could void the user's authority to operate this device.

NOTE: This equipment has been tested and found to comply with the limits for a Class B digital device, pursuant to part 15 of the FCC Rules. These limits are designed to provide reasonable protection against harmful interference in a residential installation. This equipment generates, uses, and can radiate radio frequency energy and, if not installed and used in accordance with the instructions, may cause harmful interference to radio communications. However, there is no guarantee that interference will not occur in a particular installation. If this equipment does cause harmful interference to radio or television reception, which can be determined by turning the equipment off and on, the user is encouraged to try to correct the interference by one or more of the following measures:

- Reorient or relocate the receiving antenna.
- Increase the separation between the equipment and receiver.
- Connect the equipment into an outlet on a circuit different from that to which the receiver is connected.
- Consult the dealer or an experienced radio/TV technician for help.

Please do not throw this product away with normal household waste. If possible, take it to an official collection point in your area that recycles this type of product. Thank you for considering the environment.

Questions or comments: Call 800-736-4648 in the US or visit **RemingtonProducts.com**.

100-240VAC 50/60Hz Type: RG033A

Dist. by: Empower Brands, LLC, Middleton, WI 53562

© Registered Trademark and ™ Trademark of Empower Brands, LLC
© 2022 Empower Brands, LLC All rights reserved. 8/22 29289

Made in China.

T22-7002478-B

Contains a
Listed adaptor