

# REMINGTON®

## VACUUM Beard and Stubble Trimmer

MB6850

### Use and Care Guide



## IMPORTANT SAFETY INSTRUCTIONS

When using an electrical appliance, basic precautions should always be observed, including the following. Read all instructions before using this appliance.

### DANGER

#### To reduce the risk of electric shock:

- Do not reach for an appliance that has fallen into water. Unplug it immediately.
- Do not use while bathing or in the shower.
- Do not place or drop into water or other liquid.
- Do not place or store this appliance where it can fall or be pulled into a tub or sink.
- Except when charging, always unplug this appliance from the electrical outlet immediately after using.
- Unplug this appliance before cleaning it.

### WARNINGS

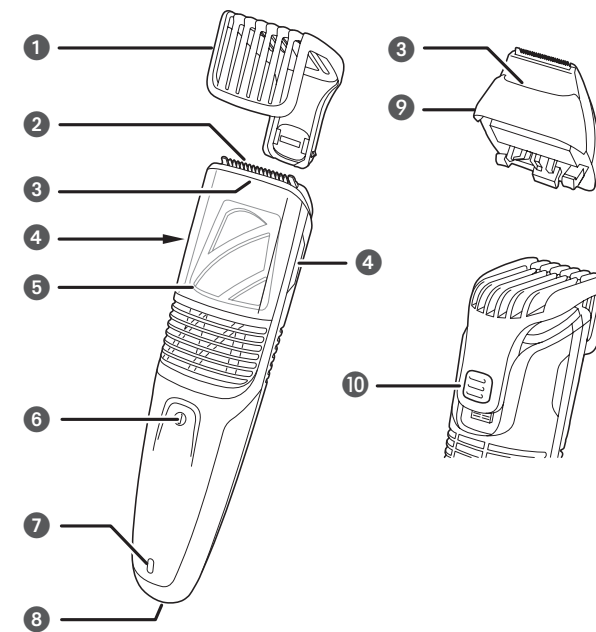
#### To reduce the risk of burns, fire, electric shock or injury to persons:

- This appliance is for household use only.
- An appliance should never be left unattended when it's plugged in, except when charging a rechargeable appliance.
- Close supervision is necessary when this appliance is used by, on, or near children or persons with special needs.
- Use this appliance only for its intended use as described in this manual.
- Do not use attachments not recommended by the manufacturer.
- Keep the cord away from heated surfaces.
- Never operate this appliance if it has a damaged cord or plug, if it is not working properly, if it has been dropped or damaged, or if it has been dropped into water. If any of these things happen, return the appliance to an authorized service center for examination and repair.

- Never drop or insert any object into any of the appliance's openings.
- Do not use outdoors or operate where aerosol (spray) products are being used, or where oxygen is being administered.
- Make sure the cord is disconnected from the trimmer while storing this appliance and cord in a moisture-free area. Do not store it in temperatures exceeding 140°F (60°C).
- Do not use this appliance with a damaged or broken cutter unit, as injury may occur. Always make sure blades are aligned properly.
- Always attach plug to appliance, then adapter to outlet. To disconnect, turn all controls to OFF, then remove adapter from outlet, then detach power cord from the trimmer for storage.
- Do not use an extension cord or a voltage converter with this appliance.
- Do not wrap the cord around the appliance.
- Dispose of used batteries properly. Do not incinerate. Batteries may explode if overheated. Do not wrap in metal or aluminum foil. Wrap in newspaper before discarding. It is suggested that you contact local battery redemption site(s) in your area.

## SAVE THESE INSTRUCTIONS

### PRODUCT FEATURES



### KEY PARTS

- |                                   |                       |
|-----------------------------------|-----------------------|
| 1. Adjustable beard comb 2 – 18mm | 8. Charger connector  |
| 2. Main blade                     | 9. Detail blade       |
| 3. Vacuum intake                  | 10. Comb lock button  |
| 4. Vacuum chamber release buttons |                       |
| 5. Vacuum chamber                 | <b>Also Includes:</b> |
| 6. On/off switch                  | • Charging adapter    |
| 7. Charge indicator light         | • Cleaning brush      |

### CHARGING

#### Charge your trimmer:

- Before using for the first time.
  - When the charge indicator light is flashing.
  - After your trimmer has not been used for a long time.
1. Ensure the trimmer is switched off.
  2. Connect the charging adapter to the charger connector and then to the power outlet.
  3. When charging, the charge indicator light will light up. The light will go out when charging is complete.
  4. A first-time charge should take approximately 2-4 hours. Top-up charges should take approximately 2 hours.
- To preserve the life of your batteries, let them run out every 6 months. Then, recharge for 16-20 hours.

#### Corded/cordless use

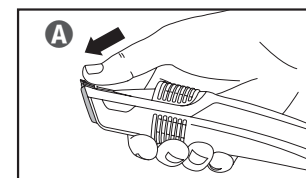
- When fully charged, your trimmer should provide approximately 60 minutes of cordless use.
- You can also connect the charger (as if you were going to charge the trimmer) and operate the trimmer 'corded' if desired.

### ATTACHMENTS

#### Exchanging the main and detail blades

Your trimmer is supplied with the main blade already attached. It is easier to remove and reattach the main blade with the vacuum chamber removed.

1. Switch your trimmer off.
2. Hold the trimmer in one hand.
3. Push the top of the blade away from the trimmer body using your thumb. (Fig A)
4. Use enough force to free the blade from the trimmer body. Once free, lift it off.
5. Attach the desired blade by engaging the tab on the back of the blade into the rear of your trimmer. Press the front of the blade down until it clicks.
6. Replace the vacuum chamber.



#### Attaching/removing the adjustable beard comb

1. Switch your trimmer off.
2. Depress the comb lock button then slide the adjustable comb into the guides on the rear of your trimmer. Slide the comb all the way down. Then, release the button.
3. To adjust the length of the beard comb, depress the comb lock button then slide the comb to the desired length)

### INSTRUCTIONS FOR USE

#### THIS PRODUCT IS NOT SUITABLE TO USE IN THE BATH OR SHOWER.

#### Trimming your beard

For even cutting, allow your trimmer to cut its way through the beard hair. Do not force it through quickly. If you are cutting for the first time, start with the maximum comb length attachment.

Regularly check the level of collected hair in the vacuum chamber. When full, switch off your trimmer and remove the vacuum chamber. Empty the hair clippings. Reattach the vacuum chamber before continuing use.

#### Trimming or tapering the beard or mustache

1. Set the adjustable comb to the desired length.
2. Place the flat part of the comb against the skin. Slowly slide the comb through the hair.
3. Repeat from different directions as necessary.
4. If hair builds up in the trimmer comb during the trimming process, switch the unit off, remove the comb and brush off the hair.

#### Defining the line of the beard or mustache

1. Remove the main blade and replace it with the detail blade.
2. Start trimming at the edges of your beard/mustache line.
3. Move your trimmer carefully towards the line until the desired shape is achieved.

#### Trimming your sideburns

1. Attach the wide trimming head, or the detail trimming head, as required.
2. Hold your trimmer with blade facing you.
3. Start with edge of your sideburns. With the trimmer blade resting lightly against your skin, move your trimmer carefully towards your sideburn until the desired shape is achieved.

### Register Your New Product Today!

By registering your new Remington® product, you will receive special offers.  
Register online at: [RemingtonProducts.com](http://RemingtonProducts.com)

### Trimming the nape of your neck

1. Remove the adjustable comb.
2. Use the fingers of one hand to lift the hair at the base of your head up off your neck.
3. Your index finger should be covering the roots of the hairs you are lifting to prevent them from being accidentally cut.
4. Hold the trimmer to the base of your neck with the blade facing up. Move the trimmer up the neck until it touches your index finger which is protecting the hair roots.
5. Move your trimmer slowly and keep the hair roots at the base of your head out of the way of the trimmer.

### TIPS FOR BEST RESULTS

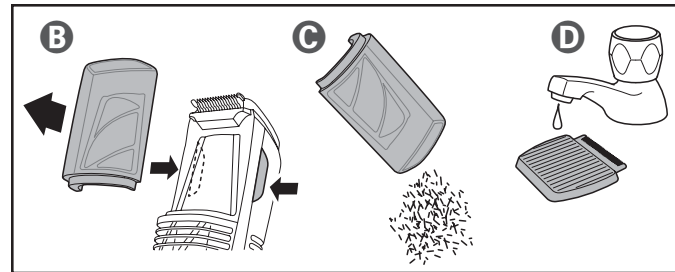
- Your beard, mustache or sideburn hair should be dry.
- Avoid applying lotions before use.
- If you are trimming for the first time, start with the adjustable comb set to its maximum length position.

### CLEANING AND MAINTENANCE

Your beard trimmer is attached with high quality blades. To ensure long lasting performance, clean the blades and trimmer regularly.

#### After Each Use

1. Ensure your trimmer is switched off and disconnected from the charger before cleaning.
2. Remove the blade. Brush the accumulated hair from the blade.
3. Wipe your trimmer body with a damp cloth and dry immediately. Do not submerge your trimmer in water.
4. Reattach the blade.
5. Press the two vacuum chamber release buttons and remove the vacuum chamber (Fig B).
6. Empty the vacuum chamber (Fig C) and rinse it under a running tap. Dry then reattach the chamber.



#### Washable heads

The trimming heads are washable for ease of cleaning. Always remove the trimming head from your trimmer before washing.

1. Rinse the trimming heads under a running tap to remove any hair clippings (Fig D).
2. Once dry, reattach the trimming head.

#### Storage

When not in use, unplug the trimmer and store it out of reach of children in a safe dry place. Never wrap the cord around the trimmer as this will cause the cord to wear prematurely and break. Handle the cord carefully for long life and avoid jerking, twisting or straining, especially at the plug connections.

### TROUBLESHOOTING

#### The trimmer does not work when turned on:

Hair trimmer must be charged for a full 2 hours, or use hair trimmer while plugged into wall.

#### The vacuum chamber does not collect hair:

The vacuum chamber may be full. Empty chamber as directed in the Cleaning and Maintenance section.

#### Trimmer cutters do not move:

The cutting unit may be dirty and clogged. Clean the unit as directed in the Cleaning and Maintenance section.

#### Trimmer does not hold charge:

Fully discharge the battery by running trimmer until it stops; then follow recharging instructions in Charging section.

### PRODUCT DISPOSAL

When your rechargeable trimmer reaches the end of its useful life, the batteries must be removed and recycled or disposed of properly in accordance with your local and state requirements.

#### The following procedure should be followed for battery removal:

- The rechargeable battery must be removed from the appliance before it is disposed of.
  - Disconnect the charging adapter before removing the battery.
1. Ensure that the battery is fully discharged. To do this, operate the trimmer until it stops.
  2. Remove the vacuum chamber. Then, remove the four exposed screws.
  3. Unscrew the four screws located on the outside edges of the internal frame.
  4. Lift the internal frame out of the bottom housing. Remove the three screws holding the printed circuit board to the internal frame.
  5. Take out the battery and printed circuit board assembly from the battery chamber.
  6. Cut the tabs on both ends of the battery and remove it from the printed circuit board
- The battery must be disposed of at an appropriate official recycling/collection point.
  - Do not attempt to operate the trimmer once you have opened it.

THIS DEVICE USES EITHER NICKEL METAL HYDRIDE (NiMH), OR NICKEL CADMIUM (Ni-Cd) RECHARGEABLE BATTERIES (see side of removed battery for indication of type). **CAUTION: ALL RECHARGEABLE BATTERIES MUST BE RECYCLED OR DISPOSED OF IN ACCORDANCE WITH APPLICABLE STATE AND LOCAL REGULATIONS.** Do not put in fire or mutilate, as the battery may burst or release toxic materials. Do not short-circuit, as this may cause burns.

### WARRANTY

#### Limited Five-Year Warranty

Spectrum Brands, Inc. warrants this product against any defects that are due to faulty material or workmanship for a five-year period from the original date of consumer purchase. This warranty does not include damage to the product resulting from accident or misuse.

If the product should become defective within the warranty period, we will replace it free of charge. Return your product with your name, address and day time phone number to: Remington Returns Center, 507 Stokely Dr., P.O. Box 1, Deforest, WI 53532. For more information call 800-736-4648 in the U.S. and Canada.

#### This warranty does not cover products damaged by the following:

- Accident, misuse, abuse or alteration of the product
- Servicing by unauthorized persons
- Use with unauthorized accessories
- Connecting it to incorrect current and voltage
- Wrapping cord around appliance causing premature wear & breakage
- Any other conditions beyond our control

No responsibility, obligation, or liability is assumed for the installation or maintenance of this product.

**SPECTRUM BRANDS, INC. SHALL NOT BE RESPONSIBLE FOR ANY INCIDENTAL, SPECIAL OR CONSEQUENTIAL DAMAGES RESULTING FROM THE USE OF THIS PRODUCT. ALL IMPLIED WARRANTIES, INCLUDING BUT NOT LIMITED TO IMPLIED WARRANTIES OF FITNESS AND MERCHANTABILITY, ARE LIMITED IN DURATION TO FIVE YEARS FROM DATE OF ORIGINAL PURCHASE.**

This warranty gives you specific legal rights and you may also have other rights which vary from state to state or province to province. Some states do not allow the exclusion or limitation of incidental, special or consequential damages.

#### Spectrum Brands, Inc. Money-back Offer

If within 30 days after you have purchased your Remington® branded product, you are not satisfied and would like a refund, return it with the sales slip indicating purchase price and date of purchase to the retailer from whom it was purchased. Spectrum Brands, Inc. will reimburse all retailers who accept the product within 30 days from the date of purchase. If you have any questions concerning the money-back guarantee, please call 800-736-4648 in the U.S. and Canada.

### Remington Guarantees Satisfaction After 30 Days!

#### Remington 60-Day Money Back Guarantee\*

If within 60 days after purchasing any Remington® branded product, you are not completely satisfied and would like a refund, return it with the original dated sales receipt directly to Remington and receive a full refund.\*\* For questions concerning the money-back guarantee, please call 800-736-4648 in the U.S. or Canada.

\*Applies to U.S. and Canadian customers' returns only.

\*\*Terms and conditions apply.

#### Terms and Conditions

1. Refund will be in the form of a check issued in U.S. Dollars and will be provided only if all Terms and Conditions are met.
2. The following items must be returned to Remington and postmarked no later than 60 days after purchase of the Remington® branded Men's Shave and Groom product:
  - a. The Remington® product;
  - b. The original sales receipt indicating price and date purchased; and
  - c. The completed 60-day money back guarantee form located at [RemingtonProducts.com/60day](http://RemingtonProducts.com/60day).
3. In addition, Remington, in its discretion, must determine that the returned product was used in accordance with the instruction booklet (included with the product at the time of purchase).
4. Returns should be mailed prepaid (no collect returns accepted) to:  
Remington 60-Day MBG  
507 Stokely Drive, Box 1  
DeForest, WI 53532
5. Refund does not include postage costs for the return of the product, but will include applicable taxes paid by customer, if any.
6. No responsibility will be accepted for late, lost, stolen, misdirected or damaged product.
7. Please allow 4-6 weeks to receive your refund by check.

100-240V~ 50/60Hz    **Type: MB6850**

**Questions or comments:** Call 800-736-4648 in the U.S. or visit [RemingtonProducts.com](http://RemingtonProducts.com).

Dist. by: Spectrum Brands, Inc., Middleton, WI 53562  
© Registered Trademark of Spectrum Brands, Inc.  
© 2018 Spectrum Brands, Inc. 10/18 22367

**Made in China.**  
**T22-7000717-A**