

# REMINGTON®

AS8095



## Use and Care Guide

### Register Your New Product Today!

By registering your new Remington® product, you will receive these important benefits:  
Proof of Ownership • Product Protection • Product Registration • Special Offers  
Register online at: [www.RemingtonProducts.com](http://www.RemingtonProducts.com)

## IMPORTANT SAFETY INSTRUCTIONS

When using electrical appliances, especially when children are present, basic safety precautions should always be followed, including the following:

### READ ALL INSTRUCTIONS BEFORE USING. KEEP AWAY FROM WATER.

## DANGER

As with most electrical appliances, electrical parts are electrically live even when switch is off. To reduce the risk of death by electric shock:

- Always unplug this appliance from the electrical outlet immediately after using.
- Do not use while bathing or in the shower.
- Do not place or store this appliance where it can fall or be pulled into a tub or sink.
- Do not place or drop into water or other liquid.
- Do not reach for an appliance that has fallen into water. Unplug it immediately. Do not reach into the water.
- Unplug this appliance before cleaning it.

## WARNING

To reduce the risk of burns, fire, electric shock or injury to persons:

- An appliance should never be left unattended when it is plugged in.
- Close supervision is necessary when this appliance is used by, on, or near children or individuals with certain disabilities or special needs.
- Use this appliance only for its intended use as described in this manual. Do not use attachments not recommended by Remington.
- Never operate this appliance if it has a damaged cord or plug, if it is not working properly, if it has been dropped or damaged, or if it has been dropped into water.
- Keep the cord away from the heated surfaces. **Do not wrap the cord around the appliance.**

- Never use while sleeping.
- Never drop or insert any object into any of the appliance's openings.
- Do not use outdoors or operate where aerosol (spray) products are being used, or where oxygen is being administered.
- Do not use an extension cord.
- This appliance is hot when in use. Do not let eyes or bare skin touch heated surfaces.
- Do not place the heated unit directly on any surface while it is hot or plugged in.
- The plug on this appliance has one blade wider than the other, it is a polarized plug. As a safety feature, this plug will fit in a polarized outlet only one way. If the plug does not fit fully in the outlet, reverse the plug. If it still does not fit contact a qualified electrician. Do not attempt to defeat this safety feature.
- Always store this appliance and cord in a moisture-free area. Do not store it in temperatures exceeding 140°F (60°C).
- Do not plug or unplug this appliance when your hands are wet.
- Never block the air openings of the appliance or place it on a soft surface, such as a bed or couch, where the air openings may be blocked. Keep the air openings free of lint, hair and the like.
- Do not direct hot air toward the eyes or other heat sensitive areas.
- Attachments may be hot during use. Allow them to cool before handling.
- While using the appliance, keep your hair away from the air inlets.
- Do not operate with a voltage converter.
- Do not use this product to dry a wig (or brush) made of something that may burn easily.
- Do not use this product to dry a wig (or brush) that has been cleaned in something that may burn if it may still have some of the cleaner on or in it.

**KEEP AWAY FROM CHILDREN  
SAVE THESE INSTRUCTIONS**



## THIS MESSAGE ABOUT

# GROUND FAULT CIRCUIT INTERRUPTERS

**CAN SAVE A LIFE!**

### If you must use your appliance in the bathroom, install a GFCI\* now!

Your local electrician can help you decide which type is best for you – a portable unit that plugs into the electrical outlet or a permanent unit installed by your electrician. The National Electrical Code now requires GFCI's in bathrooms, garages, and outdoor outlets of all new homes.

### Why do you need a GFCI?

Electricity and water don't mix. If your hair dryer falls in water while it's plugged in, the electric shock can kill you— even if *the switch is "off."*

A regular fuse or circuit breaker won't protect you under these circumstances. A GFCI offers you greater protection.



**A GFCI can save your life!**

Compared to that, the price is small!

**Don't wait... install one now!**

\*GFCI is a sensitive device that reacts immediately to a small electric current leak by stopping the electricity flow.

## Safety Instructions

### ALCI Safety Device

This airstyler is provided with an appliance leakage circuit interrupter (ALCI) safety device built into the plug. This device is designed to make the unit inoperable under some abnormal conditions, such as accidental immersion in water. The ALCI safety device is equipped with a test button so that its operation can be checked. This unit should be tested before each use to confirm that the safety device is operational.

### To test:

After plugging in your airstyler:

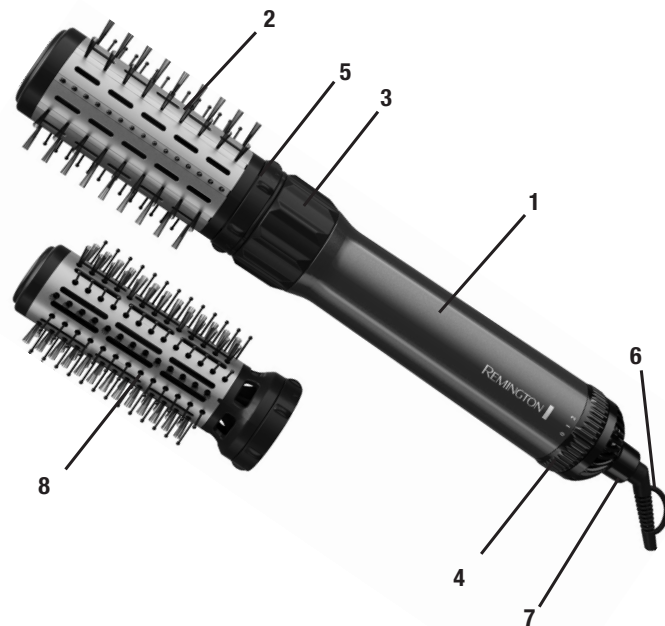
1. Press the reset button on the ALCI device.
2. Press the test button. The reset button will pop out. This verifies that the safety device is operating properly.
3. Press the reset button to reactivate your ALCI safety device.
4. Your airstyler is now ready for use.

**Note:** This unit may automatically trip when unplugged. If so, the unit must be reset after it is plugged in. If the dryer doesn't reset after following the above testing procedure, call 800-736-4648.

1. Should the ALCI safety device trip (i.e., reset button pops out) during use, press the reset button. Should the airstyler fail to reset, call 800-736-4648. Never operate this appliance if it has been dropped in water.
2. The airstyler is designed to work on ordinary household current only, 125 volts A.C., 60 Hz. It is not intended for commercial use.
3. This appliance is equipped with an automatic thermal limiter, which will cycle off when overheated and come back on when cooled down. If the unit cycles off, unplug the cord for several minutes before restarting.
4. This appliance is for household use only.

## Product Features

- 700 Watts
- Advanced ceramic coated barrel infused with micro conditioners
- 2 speed/heat settings for versatile styling



### Airstyler Parts

- |                                   |                            |
|-----------------------------------|----------------------------|
| 1. 700 Watt Power Handle          | 5. Attachment locking ring |
| 2. 2" thermal mixed bristle brush | 6. Hang Up Loop            |
| 3. 2-way rotation switch          | 7. Swivel Cord             |
| 4. Speed/heat setting switch      | 8. 1.5" brush              |

## How To Use

- Before plugging into a power outlet, connect the attachment to the handle by lining up the arrow with the locking ring. Make sure it is locked firmly in place.
- For a stronger style, after shampooing, towel dry hair and apply volumizing mousse or spray as required. Distribute it evenly through the hair with a wide toothed comb, ensuring all of the hair is coated from the roots to the ends.
- To remove the attachments, wait for it to cool, then rotate the locking ring and twist the attachment up and off.

## Instructions for Use

1. Wash and condition your hair as normal.
2. Squeeze out excess moisture with a towel and comb through.
3. Dry roots and length partially prior to styling.
  - Hairsprays contain flammable material – do not use while using this product.
4. Plug the product into the main power supply.
5. Section the hair prior to styling. Style the lower layers first.
6. The 2" bristle brush adds volume and fullness and is ideal for medium to longer hair.
7. To turn the product on, turn the speed/heat setting switch to the right and select either 1 or 2.
8. To use the rotating function, turn the switch to the right for the brush to rotate clockwise. Turn the switch to the left for the brush to rotate counterclockwise.
9. Wrap the bottom of the hair partly around the airstyler and press the rotating function. This function will help wrap and release hair to gain volume and curls.
10. Select the desired temperature and speed setting using the switches on the handle.
11. After use, turn the appliance off and unplug.
12. Let the attachment cool before removing.
13. To remove attachment, click the attachment locking function to the right and pull attachment away from main housing.

## Maintenance

### Cleaning

Make sure the unit is unplugged and cool. Use a damp cloth to clean the outside of the power handle. No other maintenance of the unit is required. ***This appliance has no user serviceable parts.***

### Storage

Unplug the unit whenever it is not in use. Allow it to cool, then store it out of reach of children in a safe, dry location. Never wrap the cord around the appliance, since this will cause the cord to wear prematurely and break, thus voiding warranty. Handle the cord carefully and avoid jerking, twisting, or straining it, especially at plug connections.

## Warranty

### Limited Four-Year Warranty

Spectrum Brands, Inc. warrants this product against any defects that are due to faulty material or workmanship for a four-year period from the original date of consumer purchase. This warranty does not include damage to the product resulting from accident or misuse. If the product should become defective within the warranty period, we will repair it or elect to replace it free of charge. Return your product and sales receipt with your name, address and day time phone number to: Spectrum Brands, Inc., 507 Stokely Drive, DeForest, WI 53532. For more information call 800-736-4648 in the US or 800-268-0425 in Canada.

**KEEP ORIGINAL SALES RECEIPT AS PROOF OF PURCHASE FOR WARRANTY PURPOSES.**

This warranty does not cover products damaged by the following:

- Accident, misuse, abuse or alteration of the product
- Servicing by unauthorized persons
- Use with unauthorized accessories
- Connecting it to incorrect current and voltage
- Wrapping cord around appliance causing premature wear & breakage
- Any other conditions beyond our control

**SPECTRUM BRANDS, INC. SHALL NOT BE RESPONSIBLE FOR ANY INCIDENTAL, SPECIAL OR CONSEQUENTIAL DAMAGES RESULTING FROM THE USE OF THIS PRODUCT. ALL IMPLIED WARRANTIES, INCLUDING BUT NOT LIMITED TO IMPLIED WARRANTIES OF FITNESS AND MERCHANTABILITY, ARE LIMITED IN DURATION TO FOUR YEARS FROM DATE OF ORIGINAL PURCHASE.**

This warranty gives you specific legal rights and you may also have other rights which vary from state to state or province to province. Some states do not allow the exclusion or limitation of incidental, special or consequential damages.

### Spectrum Brands, Inc. Money-back Offer

If within 30 days after you have purchased your Remington® branded product, you are not satisfied and would like a refund, return it with the sales slip indicating purchase price and date of purchase to the retailer from whom it was purchased. Spectrum Brands, Inc. will reimburse all retailers who accept the product within 30 days from the date of purchase. If you have any questions concerning the money-back guarantee, please call 800-736-4648 in the US or 800-268-0425 in Canada.

### Remington Guarantees Satisfaction After 30 Days!

#### Remington 60-Day Money Back Guarantee\*

If within 60 days after purchasing any Remington® product, you are not completely satisfied and would like a refund, return it with the original dated sales receipt directly to Remington and receive a full refund.\*\* For questions concerning the money-back guarantee, please call 800-736-4648 in the US or 800-268-0425 in Canada.

\*Applies to US and Canadian customers' returns only.

\*\*Terms and conditions apply.

1. Refund will be in the form of a check issued in US Dollars and will be provided only if all Terms and Conditions are met.
2. The following items must be returned to Remington and postmarked no later than 60 days after purchase of the Remington® product:
  - a. The Remington® product;
  - b. The original sales receipt indicating price and date purchased; and
  - c. The completed 60-day money back guarantee form located at **RemingtonProducts.com/60day.**
3. In addition, Remington, in its discretion, must determine that the returned product was used in accordance with the instruction booklet (included with the product at the time of purchase).

4. Returns should be mailed prepaid (no collect returns accepted) to:  
Remington 60-Day MBG  
507 Stokely Drive, Box 1  
DeForest, WI 53532

5. Refund does not include postage costs for the return of the product, but will include applicable taxes paid by customer, if any.
6. No responsibility will be accepted for late, lost, stolen, misdirected or damaged product.
7. Please allow 4-6 weeks to receive your refund by check.

**125 VAC, 60 Hz**

**Questions or comments:** Call 800-736-4648 in the US or 800-268-0425 in Canada. Or visit **RemingtonProducts.com**

Dist. by: Spectrum Brands, Inc., Middleton, WI 53562

Dist. by: Spectrum Brands Canada, Inc., 131 Saramia Crescent, Vaughan, ON L4K 4P7

© Registered Trademark of Spectrum Brands, Inc.

© 2015 Spectrum Brands, Inc. 6/15 12218-01

**T22-0003623**

**Made in China.**

