

REMINGTON®

CI52, Clip/Clipless Series



Use and Care Guide

Register Your New Product Today!

By registering your new Remington® product, you will receive these important benefits: Proof of Ownership • Product Protection • Product Registration • Special Offers
Register online at: www.RemingtonProducts.com

IMPORTANT SAFETY INSTRUCTIONS

When using electrical appliances, especially when children are present, basic safety precautions should always be followed, including the following:

READ ALL INSTRUCTIONS BEFORE USING.

KEEP AWAY FROM WATER.

DANGER

As with most electrical appliances, electrical parts are electrically live even when switch is off. To reduce the risk of death by electric shock:

- Always unplug this appliance from the electrical outlet immediately after using.
- Do not use while bathing or in the shower.
- Do not place or store this appliance where it can fall or be pulled into a tub or sink.
- Do not place or drop into water or other liquid.
- Do not reach for an appliance that has fallen into water. Unplug it immediately.
- Unplug this appliance before cleaning it.

WARNING

To reduce the risk of burns, fire, electric shock or injury to persons:

- An appliance should never be left unattended when it is plugged in.
- Close supervision is necessary when this appliance is used by, on, or near children or individuals with certain disabilities. Use this appliance only for its intended use as described in this manual. Do not use attachments not recommended by manufacturer.
- Never operate this appliance if it has a damaged cord or plug, if it is not working properly, if it has been dropped or damaged, or if it has been dropped into water. Return the appliance to a service center for examination and repair.
- Keep the cord away from the heated surfaces. Do not wrap the cord around the appliance.
- Never use while sleeping.
- Never drop or insert any object into any of the appliance's openings.
- Do not use outdoors or operate where aerosol (spray) products are being used, or where oxygen is being administered.
- Do not use an extension cord.
- This appliance is hot when in use. Do not let eyes or bare skin touch heated surfaces.

- Do not place the heated unit directly on any surface while it is hot or plugged in. Use the stand provided.
- The plug on this appliance has one blade wider than the other, it is a polarized plug. As a safety feature, this plug will fit in a polarized outlet only one way. If the plug does not fit fully in the outlet, reverse the plug. If it still does not fit contact a qualified electrician. Do not attempt to defeat this safety feature.

- Always store this appliance and cord in a moisture-free area. Do not store it in temperatures exceeding 140°F (60°C).
- This appliance is for household use only.
- Do not plug or unplug this appliance when your hands are wet.



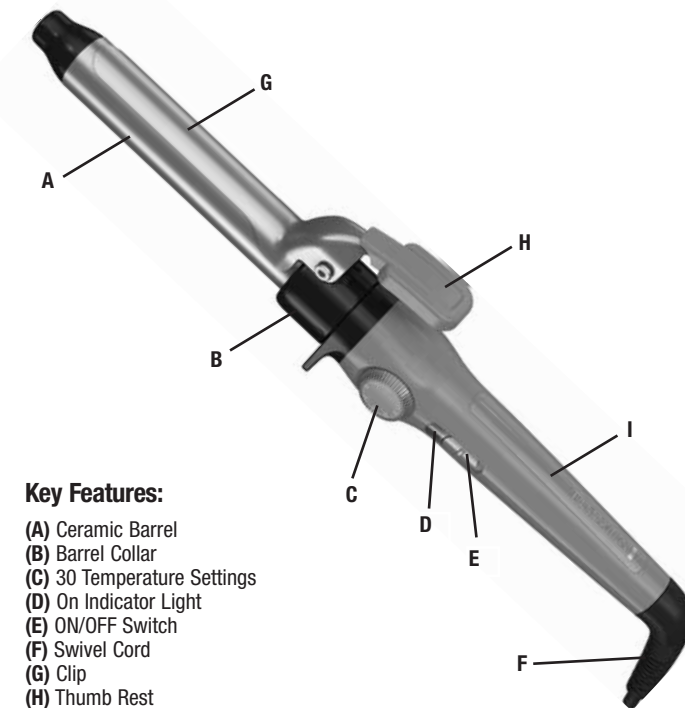
KEEP AWAY FROM CHILDREN

SAVE THESE INSTRUCTIONS

Product Features

Thank you for purchasing the Remington® Style Curling Iron. Please carefully read the instructions contained in this booklet, and keep them in a safe place for future reference.

Automatic shutoff: This styler is equipped with automatic shut-off. This safety feature turns the unit off after 60 minutes, in case you accidentally leave it on after styling your hair.



Key Features:

- (A) Ceramic Barrel
- (B) Barrel Collar
- (C) 30 Temperature Settings
- (D) On Indicator Light
- (E) ON/OFF Switch
- (F) Swivel Cord
- (G) Clip
- (H) Thumb Rest
- (I) Base

How to Use

How to Use

Hair should be clean, dry or nearly dry, and free of tangles before using. (This iron can also be used for quick touch-ups any time.)

1. Rest the iron on its stand on a smooth, flat surface, and plug it in.
2. Slide the on/off switch up for the unit to turn on and the on indicator lights up.
3. Adjust the temperature using the dial to reach your desired heat.

How to Get Professional Results with Your Curling Iron

This unique curling iron has been designed with multiple temperatures, providing very high heat settings for curling very coarse, thick, hard-to-curl hair; very low heat settings for curling extra fine, damaged or dry hair; and a full range of heat settings in between for all normal textures and thicknesses of hair.

TEST A SMALL SECTION OF HAIR BEFORE USING; THEN ADJUST TEMPERATURE DEPENDING ON HAIR TYPE.

Styling With Clip

1. Start by dividing hair into sections not more than 1 inch deep and 2 inches wide.
2. Keep the section smooth by brushing or combing through it while holding the ends taut with the other hand.
3. Taking one section at a time, place the ends of hair over the barrel with the clamp open. Then close the clamp, making sure that the ends extend just a tiny bit beyond the clamp.
4. Grasp the safety tip with the other hand, and it will be easy to roll hair.
5. Keep the section of hair taut as you wind it around the hot barrel. Wind the curl toward the scalp as far as you wish to go without touching scalp with the hot barrel.
6. Hold the curl in place for up to 20 seconds for tight curls or if hair is hard to curl. Hold for less time if hair is easy to curl, or if you want loose curls or just waves.
7. When ready to release curl, unwind about half a turn (for longer hair, unwind a bit more) and push down on the clamp release lever to open the clamp. Now, gently withdraw the barrel from the center of curl. Allow curl to cool, and try not to disturb curls while proceeding in the same manner around whole head.
8. When completely finished, and all curls have cooled thoroughly, gently brush and comb hair into the style desired.

For a Flip, the clamp should be under and the barrel over the section of hair at the start of the curl.

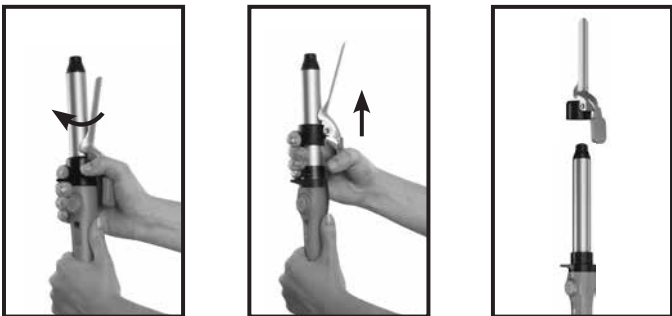
For a Curl, the clamp should be over and the barrel under the section of hair at the start of the curl.

For Volume and Body, roll hair loosely around the barrel. Allow hair to cool slightly before brushing.

Styling Without Clip

1. Set wand to your desired temperature.
2. Section hair. For tighter curls use thinner sections. For looser curls use thicker sections.
3. Take sectioned hair and wrap around the wand; wrapping ends last.
4. Keep hair around wand by holding the very ends with your fingertips.

How to Remove Clip



1. Be sure the unit is cool and unplugged before attempting to remove clip.
2. Hold the curling iron by the base with one hand.
3. Using the other hand, grab the barrel collar of the clip and twist it clockwise while holding down the thumb rest.
4. Slide the clip up and completely remove it from the barrel.

Maintenance

Cleaning

- To clean the unit, be sure the unit is cool and unplugged. Wipe the handle and barrel with a damp cloth. No other maintenance is necessary.
- Do not attempt to repair the appliance yourself.

This appliance has no user serviceable parts.

Storage

Unplug the unit whenever it is not in use. Allow it to cool, then store it out of reach of children in a safe, dry location.

Never wrap the cord around the appliance, since this will cause the cord to wear prematurely and break, thus voiding warranty. Handle the cord carefully and avoid jerking, twisting, or straining it, especially at plug connections.

Warranty

Limited Two-Year Warranty

Spectrum Brands, Inc. warrants this product against any defects that are due to faulty material or workmanship for a two-year period from the original date of consumer purchase.

If the product should become defective within the warranty period, we will replace it free of charge. Return your product and sales receipt with your name, address and day time phone number to: Remington Returns Center, 507 Stokely Dr., P.O. Box 1, DeForest, WI 53532. For more information call 800-736-4648 in the US or 800-268-0425 in Canada.

KEEP ORIGINAL SALES RECEIPT AS PROOF OF PURCHASE FOR WARRANTY PURPOSES.

This warranty does not cover products damaged by the following:

- Accident, misuse, abuse or alteration of the product
- Servicing by unauthorized persons
- Use with unauthorized accessories
- Connecting it to incorrect current and voltage
- Wrapping cord around appliance causing premature wear and breakage
- Any other conditions beyond our control

No responsibility, obligation, or liability is assumed for the installation or maintenance of this product.

SPECTRUM BRANDS SHALL NOT BE RESPONSIBLE FOR ANY INCIDENTAL, SPECIAL OR CONSEQUENTIAL DAMAGES RESULTING FROM THE USE OF THIS PRODUCT. ALL IMPLIED WARRANTIES, INCLUDING BUT NOT LIMITED TO IMPLIED WARRANTIES OF FITNESS AND MERCHANTABILITY, ARE LIMITED IN DURATION TO TWO YEARS FROM DATE OF ORIGINAL PURCHASE.

This warranty gives you specific legal rights and you may also have other rights which vary from state to state. Some states do not allow the exclusion or limitation of incidental, special, or consequential damages.

Spectrum Brands, Inc. Money-back Offer

If within 30 days after you have purchased your Remington® branded product, you are not satisfied and would like a refund, return it with the sales slip indicating purchase price and date of purchase to the retailer from whom it was purchased. Spectrum Brands, Inc. will reimburse all retailers who accept the product within 30 days from the date of purchase. If you have any questions concerning the money-back guarantee, please call 800-736-4648 in the U.S.

Remington Guarantees Satisfaction After 30 Days!

Remington 60-Day Money Back Guarantee*

If within 60 days after purchasing any Remington® product, you are not completely satisfied and would like a refund, return it with the original dated sales receipt directly to Remington and receive a full refund.** For questions concerning the money-back guarantee, please call 800-736-4648 in the U.S.

*Applies to US and Canadian customers' returns only.

**Terms and conditions apply.

Terms and Conditions

1. Refund will be in the form of a check issued in US Dollars and will be provided only if all Terms and Conditions are met.
2. The following items must be returned to Remington and postmarked no later than 60 days after purchase of the Remington® product:
 - a. The Remington® product;
 - b. The original sales receipt indicating price and date purchased; and
 - c. The completed 60-day money back guarantee form located at **RemingtonProducts.com/60day**.
3. In addition, Remington, in its discretion, must determine that the returned product was used in accordance with the instruction booklet (included with the product at the time of purchase).

4. Returns should be mailed prepaid (no collect returns accepted) to:
Remington 60-Day MBG
507 Stokely Drive, Box 1
DeForest, WI 53532

5. Refund does not include postage costs for the return of the product, but will include applicable taxes paid by customer, if any.
6. No responsibility will be accepted for late, lost, stolen, misdirected or damaged product.
7. Please allow 4-6 weeks to receive your refund by check.

120VAC 60Hz

Questions or comments:
Call 800-736-4648 or visit
RemingtonProducts.com

Dist. by: Spectrum Brands, Inc., Middleton, WI 53562
© Registered Trademark of Spectrum Brands, Inc.
© 2016 Spectrum Brands, Inc. 1/16 Job #14667-00

Made in China
T22-0002379-A

