

REMINGTON®

S859 Series



Use and Care Guide

Register Your New Product Today!

By registering your new Remington® product, you will receive these important benefits:
Proof of Ownership • Product Protection • Product Registration • Special Offers
Register online at: RemingtonProducts.com

IMPORTANT SAFETY INSTRUCTIONS

When using electrical appliances, especially when children are present, basic safety precautions should always be followed, including the following:

**READ ALL INSTRUCTIONS BEFORE USING.
KEEP AWAY FROM WATER.**

DANGER

As with most electrical appliances, electrical parts are electrically live even when switch is off. To reduce the risk of death by electric shock:

- Always unplug this appliance from the electrical outlet immediately after using.
- Do not use while bathing or in the shower.
- Do not place or store this appliance where it can fall or be pulled into a tub or sink.
- Do not place or drop into water or other liquid.
- Do not reach for an appliance that has fallen into water. Unplug it immediately.
- Unplug this appliance before cleaning it.

WARNING

To reduce the risk of burns, fire, electric shock or injury to persons:

- An appliance should never be left unattended when it is plugged in.
- Close supervision is necessary when this appliance is used by, on, or near children or individuals with certain disabilities or special needs.
- Use this appliance only for its intended use as described in this manual.
- Never operate this appliance if it has a damaged cord or plug, if it is not working properly, if it has been dropped or damaged, or if it has been dropped into water.
- Keep the cord away from the heated surfaces. **Do not wrap the cord around the appliance.**
- Never use while sleeping.

- Never block the air openings of the appliance or place it on a soft surface, such as a bed or couch, where the air openings may be blocked. Keep the air openings free of lint, hair and the like.
- Never drop or insert any object into any of the appliance's openings.
- Do not use outdoors or operate where aerosol (spray) products are being used, or where oxygen is being administered.
- Do not use an extension cord.
- This appliance is hot when in use. Do not let eyes or bare skin touch heated surfaces.
- Do not place the heated unit directly on any surface while it is hot or plugged in.
- The plug on this appliance has one blade wider than the other, it is a polarized plug. As a safety feature, this plug will fit in a polarized outlet only one way. If the plug does not fit fully in the outlet, reverse the plug. If it still does not fit contact a qualified electrician. Do not attempt to defeat this safety feature.
- Always store this appliance and cord in a moisture-free area. Do not store it in temperatures exceeding 140°F (60°C).
- This appliance is for household use only.
- Do not plug or unplug this appliance when your hands are wet.
- Do not use attachments not recommended by the manufacturer.



KEEP AWAY FROM CHILDREN

SAVE THESE INSTRUCTIONS

Product Features

Thank you for purchasing the Remington® flat iron. Please carefully read the instructions contained in this booklet, and keep them in a safe place for future reference.

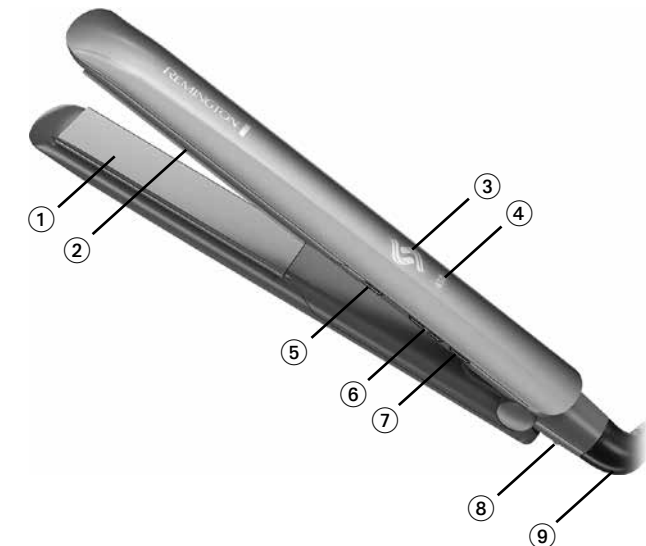
The Ultimate Styling Surface!

Protects hair against excessive heat, for guilt-free styling.

- Reduces breakage and damage from heat styling.

Key Features:

- Floating Ceramic Plate
- Infused with a blend of micro conditioners—lasts the lifetime of the product
- Instant high heat—ready in 30 seconds
- Digital precise heat—300°-450°F
- On/Off switch and temperature display
- Shutoff after 1 hour
- Salon length, swivel cord
- Optional heat sensor, protects hair while styling



Flat Iron Features

- | | | |
|-----------------------------------|------------------------------|------------------|
| 1. Ceramic plates | 4. Temperature on/off button | 7. ON/OFF button |
| 2. Heat sensor strip | 5. Heat sensor | 8. Hinge lock |
| 3. Heat sensor on indicator light | 6. Digital control | 9. Swivel cord |

How to Use

How the Micro Conditioners Work

As you use your straightener, a special blend of micro conditioners are evenly emitted onto your hair. Micro conditioners in the coating come to the surface of the plates during heating and operation of the straightener, and are transferred to the hair during styling.

Heat Settings

Take extra care when using a professional styler. This styler reaches a professional heat of 450°F. To prevent hair damage, make sure to use the correct temperature setting for your hair type.

+/- Button Features

- Set to desired temperature setting.
- During heat up time, temperature display will pulse until the desired temperature is reached.
- When the tool reaches the desired temperature, the pulsing will stop and the temperature will be displayed.

Turbo Mode: (hold time about 2 seconds)

- Activating: Press “+” Button and hold about 2 seconds to increase temperature to maximum 450°F setting.
- Decreasing: Press “-” button to decrease the temperature like the normal function mode.

Heat Sensor

How to Use:

- Set the straightener to your desired temperature.
- This optional function can be turned on, or off by pressing the heat sensor button located next to the unit's +/- buttons.
- When activated, the heat sensor icon will illuminate through the top of the straightener. When the straightener is closed the icon will pulse, letting you know that the sensor is actively protecting your hair from excessive damage.

How the Heat Sensor Works:

- This system allows you to avoid excessive heat to already damaged/dry area of your hair by automatically adjusting the temperature to a safe styling zone. Allowing you to style your hair fast and beautifully without the worry of damaging your hair.
- The computerized sensor, found in the top plate of your straightener, is designed to identify dry to damaged hair, caused by excessive heat styling.
- As you move the straightener through your hair, the sensor will automatically detect the dry/damaged areas and adjust the temperature bringing it to a safe styling zone.
- Once you pass over the damaged area, the straightener will re-adjust to you designated temperature once the sensor identifies normal/healthy hair.

Temp.	Hair Type
A. 300°-340°F	Very fine, fragile, damaged hair
B. 375°F	Normal, easy to straighten hair
C. 410°-450°F	Thick, difficult to straighten hair

Automatic Safety Shutoff

After approximately one hour, the unit will automatically shut itself off. To reactivate the unit, press the ON/OFF button.

Hinge Lock

This professional flat iron has a closing lock to make the unit easier to store. To lock the iron, simply squeeze the plates together and turn the switch to the locked position. To unlock, turn the switch to the unlock position.

NOTE: Do not heat the unit in the locked position.

Usage Tips

Straightening Your Hair

1. Hair should be dry and free of tangles before using the styling iron.
2. Plug the styler into an electrical outlet. Press and hold the ON/OFF button until the unit turns on and the LCD lights up.
3. Adjust the temperature using the temperature buttons. The display will flash while the unit heats up, and then glow steadily when it has reached the selected temperature.
4. Divide hair into manageable sections and clip the upper layers on top of your head, out of the way. Work with underneath layers first.
5. Test the styler on a small section of hair, then adjust the temperature up or down before styling the rest of your hair.

Note:

- If you find that you need a higher setting while straightening your hair, simply adjust the temperature to a higher heat setting.
 - While straightening your hair, if you find that you need a lower setting, adjust the temperature to a lower heat setting. Because the unit is already hot, it may take a few minutes to cool off.
6. Take a small section of hair, pull down and away from your scalp, and hold it taut.
 7. Starting at the roots, clamp hair firmly between the plates and run the styler down the entire hair strand, from root to tip, in one smooth stroke. Do not hold the styler in one area for a long period of time or damage to hair may occur.
 8. To create curves or flicks, rotate your wrist to turn the iron in toward your head or out away from your head as you run the iron down the hair strand.
 9. Repeat with all the sections of your hair, working with the underneath layers first, then the top and sides to finish.
 10. When you are finished styling, press and hold the ON/OFF button to turn the unit off, unplug it, and allow it to cool before storing.

Maintenance

Cleaning

Make sure the unit is unplugged and cool. Use a damp cloth to clean the plates and the outside of the power handle. No other maintenance of the unit is required. This appliance has no user serviceable parts.

Storage

Unplug the unit whenever it is not in use. Allow it to cool, then store it out of reach of children in a safe, dry location.

Never wrap the cord around the appliance. This will cause the cord to wear prematurely and break, thus voiding the warranty. Handle the cord carefully and avoid jerking, twisting, or straining it, especially at plug connections. If the supply cord is damaged, it must be replaced by the manufacturer, its service agent, or similarly qualified persons in order to avoid a hazard.

Warranty

Limited Four-Year Warranty

Spectrum Brands, Inc. warrants this product against any defects that are due to faulty material or workmanship for a four-year period from the original date of consumer purchase.

If the product should become defective within the warranty period, we will replace it free of charge. Return your product and sales receipt with your name, address and day time phone number to: Remington Returns Center, 507 Stokely Dr., P.O. Box 1, Deforest, WI 53532. For more information call 800-736-4648 in the U.S. or Canada.

KEEP ORIGINAL SALES RECEIPT AS PROOF OF PURCHASE FOR WARRANTY PURPOSES.

This warranty does not cover products damaged by the following:

- Accident, misuse, abuse, or alteration of the product
- Servicing by unauthorized persons
- Use with unauthorized accessories
- Connecting it to incorrect current and voltage
- Wrapping the cord around the appliance, causing premature wear and breakage
- Any other conditions beyond our control

No responsibility, obligation, or liability is assumed for the installation or maintenance of this product.

SPECTRUM BRANDS, INC. SHALL NOT BE RESPONSIBLE FOR ANY INCIDENTAL, SPECIAL OR CONSEQUENTIAL DAMAGES RESULTING FROM THE USE OF THIS PRODUCT. ALL IMPLIED WARRANTIES, INCLUDING BUT NOT LIMITED TO IMPLIED WARRANTIES OF FITNESS AND MERCHANTABILITY, ARE LIMITED IN DURATION TO FOUR YEARS FROM DATE OF ORIGINAL PURCHASE.

This warranty gives you specific legal rights and you may also have other rights which vary from state to state or province to province. Some states do not allow the exclusion or limitation of incidental, special, or consequential damages.

Spectrum Brands, Inc. Money-back Offer

If within 30 days after you have purchased your Remington® branded product, you are not satisfied and would like a refund, return it with the sales slip indicating purchase price and date of purchase to the retailer from whom it was purchased. Spectrum Brands, Inc. will reimburse all retailers who accept the product within 30 days from the date of purchase. If you have any questions concerning the money-back guarantee, please call 800-736-4648 in the U.S. or Canada.

Remington Guarantees Satisfaction After 30 Days!

Remington 60-Day Money Back Guarantee*

If within 60 days after purchasing any Remington® product, you are not completely satisfied and would like a refund, return it with the original dated sales receipt directly to Remington and receive a full refund.** For questions concerning the money-back guarantee, please call 800-736-4648 in the U.S. or Canada.

*Applies to U.S. and Canadian customers' returns only.

**Terms and conditions apply.

1. Refund will be in the form of a check issued in U.S. Dollars and will be provided only if all Terms and Conditions are met.
2. The following items must be returned to Remington and postmarked no later than 60 days after purchase of the Remington® product:
 - a. The Remington® product;
 - b. The original sales receipt indicating price and date purchased; and
 - c. The completed 60-day money back guarantee form located at RemingtonProducts.com/60day.
3. In addition, Remington, in its discretion, must determine that the returned product was used in accordance with the instruction booklet (included with the product at the time of purchase).
4. Returns should be mailed prepaid (no collect returns accepted) to:
Remington 60-Day MBG
507 Stokely Drive, Box 1
Deforest, WI 53532
5. Refund does not include postage costs for the return of the product, but will include applicable taxes paid by customer, if any.
6. No responsibility will be accepted for late, lost, stolen, misdirected or damaged product.
7. Please allow 4–6 weeks to receive your refund by check.

Questions or comments:

Call 800-736-4648 in the U.S. or Canada or visit RemingtonProducts.com

® Registered Trademark of Spectrum Brands, Inc.

©2017 Spectrum Brands, Inc. 03/17 17202-00

Spectrum Brands, Inc., Middleton, WI 53562

Made in China.

T22-0004938-A



Intertek