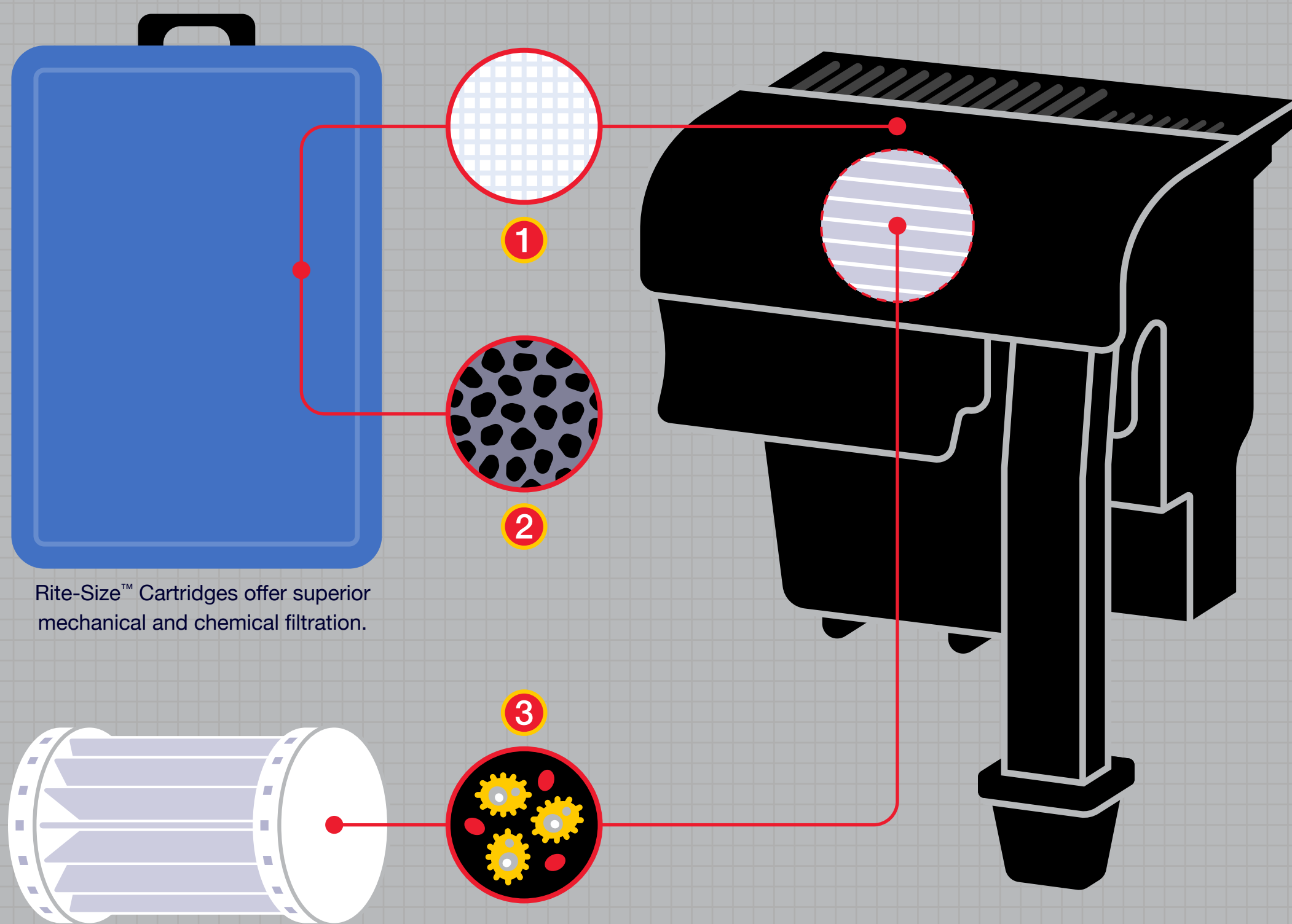


Advanced Filtration

For freshwater and saltwater aquariums.

JUST LIKE AN AIR FILTER CLEANS THE AIR WE BREATHE, AN AQUARIUM FILTER CLEANS THE WATER YOUR FISH BREATHE. IT ALSO HELPS KEEP YOUR AQUARIUM LOOKING PRISTINE.

Marineland® Multi-Stage Filtration works in three ways:



Rite-Size™ Cartridges offer superior mechanical and chemical filtration.

As it rotates, the BIO-Wheel® filter exposes beneficial bacteria to the air which has as much as 30,000 times more oxygen than the oxygen already dissolved in the water. More oxygen means more bacteria working harder and faster to keep your tank ammonia-free. The BIO-Wheel® filter never clogs or needs to be replaced.

1 Mechanical Filtration

Water passes through the cartridge where a pad of double-thick poly-fiber catches debris and waste.

2 Chemical Filtration

Black Diamond® Premium Activated Carbon removes odors and discoloration for sparkling clear water.

3 Biological Filtration

The BIO-Wheel® filter forms a large three-dimensional area for cultivating aerobic bacteria which works to eliminate toxic ammonia and nitrites from aquarium water.

Better carbon means cleaner, clearer water:



Marineland® Black Diamond® Premium Activated Carbon is made using high temperature steam activation.



Specially sized and far more efficient than inferior coconut, wood or peat-based carbons.



Works much faster and keeps working long after other carbons quit.

Remember:



Change your filter cartridge once a month or when you see a reduction in water flow.



Change 25% of the water monthly.



Use a water conditioner to make tap water safe for fish.

The most popular types of aquarium filters:

Power filters typically use disposable cartridges and hang on the back edge of your aquarium.

Internal filters sit inside the aquarium and are primarily made for smaller aquariums less than 20 gallons.

Canister filters sit outside the aquarium and provide excellent filtration for larger aquariums or aquariums with a lot of fish.

Wet/dry filters are typically plumbed below the tank and often have a sump to accommodate other equipment.

In-line filters are tailored specifically to fit your aquarium needs and plumbed to a dedicated pipe and pump system.

