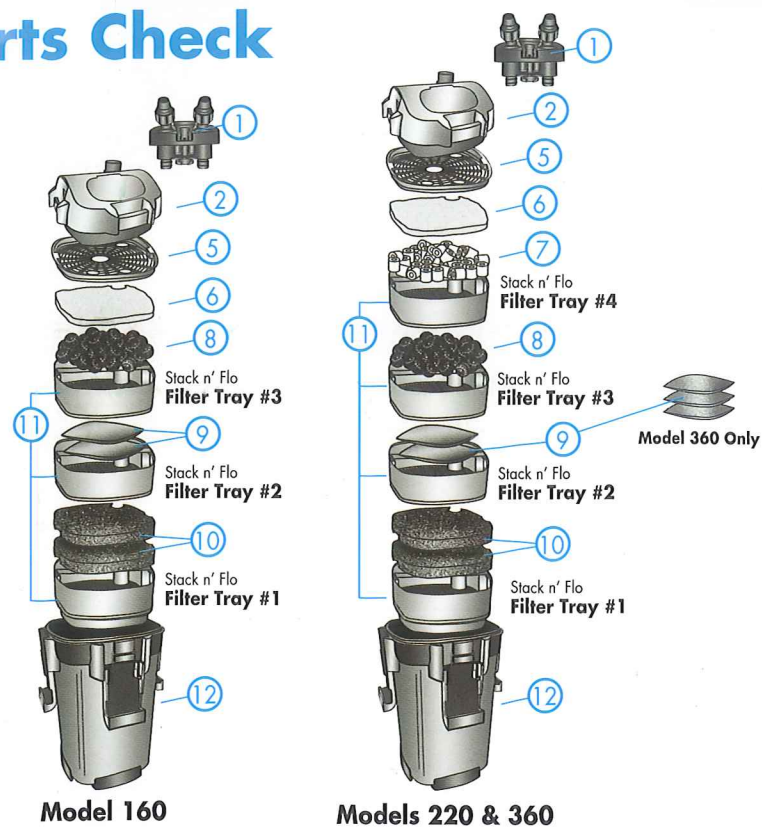


Start Here - Magniflow™ Canister Filters Quick Setup Guide

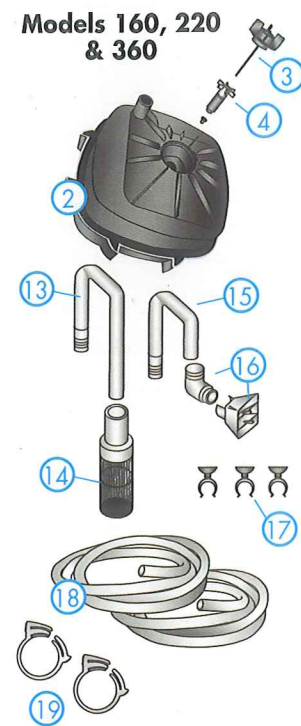
1

Parts Check

- 1) Valve Block*
- 2) Motor Head*
- 3) Impeller Assembly Cover
- 4) Impeller Assembly
- 5) Filter Media Securing Plate
- 6) Filter Floss Pad
- 7) Ceramic Rings (220 & 360 only)
- 8) BIO-Filter Balls
- 9) Carbon Bags
- 10) Filter Foam
- 11) Filter Trays (Stack n' Flo)
- 12) Canister
- 13) Intake Tube
- 14) Strainer
- 15) Outlet Tube
- 16) Elbow & Diffuser
- 17) Suction Cups
- 18) Vinyl Tubing (2 lengths)
- 19) Snapper Clamps



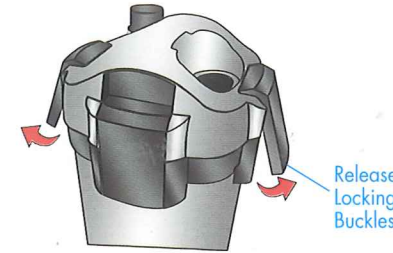
Models 160, 220 & 360



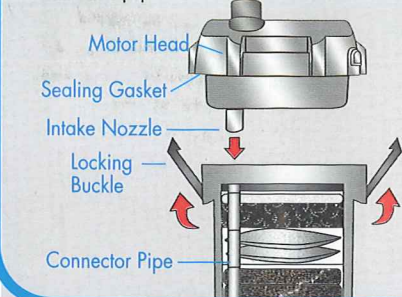
2

Case Prep

A. Unlock and remove motor head.

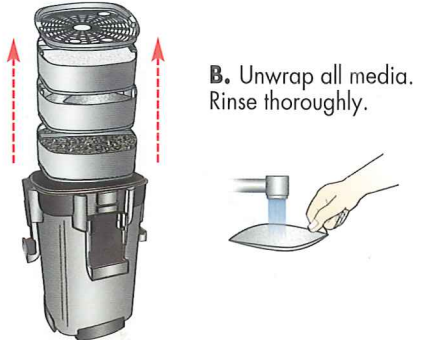


D. Replace Motor Head. Close locking buckles. **NOTE:** Align intake nozzle and connector pipe.

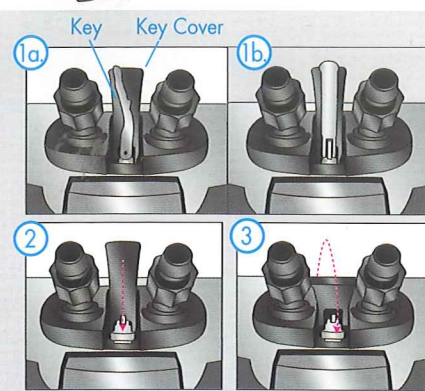


E. Attach valve block to motor head. The inlet will be on the right and outlet on the left. To lock the valve block turn the key clockwise and the reverse to unlock.

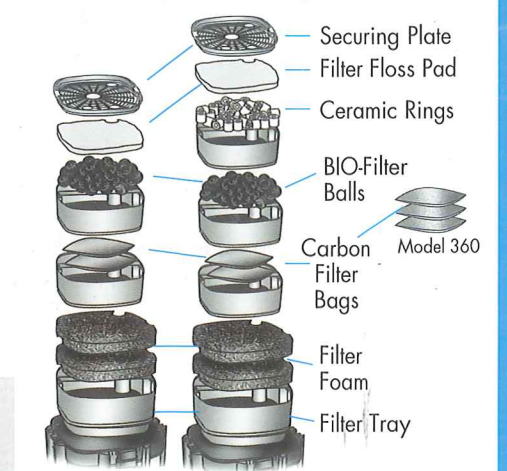
1. Turn key
2. Press key down
3. Close key cover



B. Unwrap all media. Rinse thoroughly.

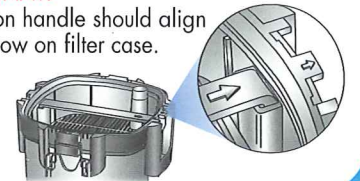


C. Place media in appropriate Filter Trays. Load filled trays and Securing Plate.



Model 160 Models 220 & 360

IMPORTANT: Arrow on handle should align with arrow on filter case.



3

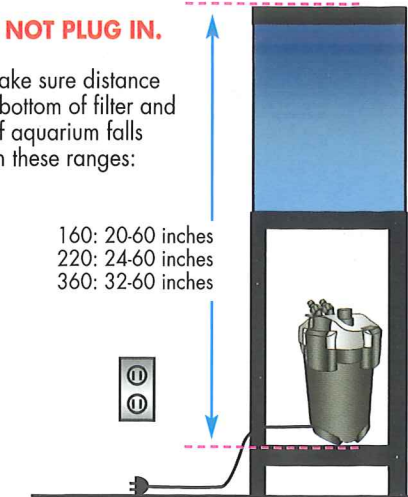
Placement

A. Place canister filter under aquarium in an accessible location. Top of canister must be below aquarium water level.

DO NOT PLUG IN.

B. Make sure distance from bottom of filter and top of aquarium falls within these ranges:

- 160: 20-60 inches
- 220: 24-60 inches
- 360: 32-60 inches

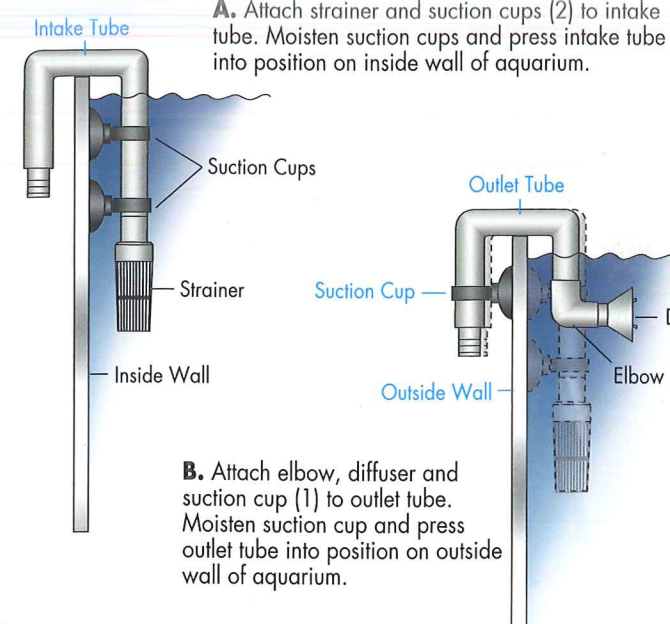


DO NOT PLUG IN.

4

Intake/Outlet Assembly

A. Attach strainer and suction cups (2) to intake tube. Moisten suction cups and press intake tube into position on inside wall of aquarium.

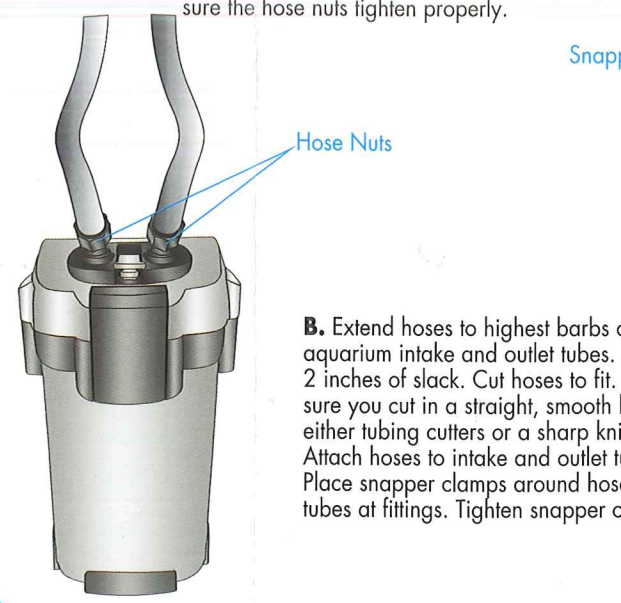


B. Attach elbow, diffuser and suction cup (1) to outlet tube. Moisten suction cup and press outlet tube into position on outside wall of aquarium.

5

Connection

A. Attach vinyl tubing ends to valve hose bars. Tighten Hose Nuts. Please make sure you have pushed the vinyl tubing down onto the hose bars as far as possible to help make sure the hose nuts tighten properly.



Hose Nuts

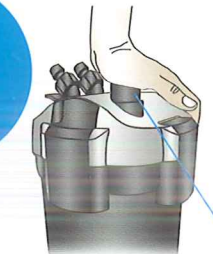
Snapper Clamps

Allow 2" of slack.

B. Extend hoses to highest bars on aquarium intake and outlet tubes. Allow for 2 inches of slack. Cut hoses to fit. Make sure you cut in a straight, smooth line with either tubing cutters or a sharp knife. Attach hoses to intake and outlet tubes. Place snapper clamps around hose and tubes at fittings. Tighten snapper clamps.

6

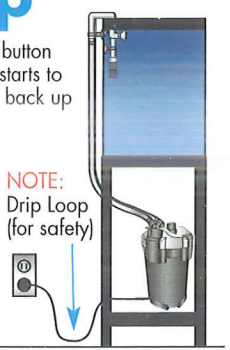
Start Up



A. Press the Quick Prime button multiple times until water starts to flow into the canister and back up towards the aquarium.
B. Plug in the filter.

NOTE: If water flow through Diffuser is not satisfactory, unplug filter and check hose connections for obstruction or kinking.

NOTE: A slight rattling noise is normal ONLY DURING STARTUP. If noise persists, shut off filter and check for dirt or debris that may be in bottom of Canister.



Quick Prime Button

NOTE: Drip Loop (for safety)

7

Filter Maintenance

To perform routine maintenance on your canister filter you should first unplug the filter. There is no need to remove the intake and outlet tubes or disconnect hosing from the valve block. All you need to do is remove the valve block from the canister. To do this, first stop the water flow to the filter by lifting the key cover on the valve block. To unlock the valve block, turn the key inside counter clockwise. Lift the valve block from the canister leaving the intake/outlet assemblies tubing and valve block together for easy reconnect.

Clean filter media regularly. Rinse with water from aquarium. **NOT TAP WATER.**

Clean impeller assembly cover and impeller monthly. Rinse thoroughly under warm tap water.

Rinse filter foam every three weeks and replace after nine weeks.

Replace filter floss pad and carbon filter bags every month.

IMPORTANT:
Never use soap, abrasives or any other cleaning agent on or around filter or aquarium.
Never attempt to remove Motor Head when filter is in use.
Never submerge Motor Head.

MARINELAND
 United Pet Group, a Division of Spectrum Brands, Inc. 3001 Commerce Street Blacksburg, VA 24060
 1.800.322.1266 • www.marineland.com
 © Registered Trademark and TM Trademark of Spectrum Brands, Inc
 ©2015 Spectrum Brands, Inc