

SAVE THESE INSTRUCTIONS

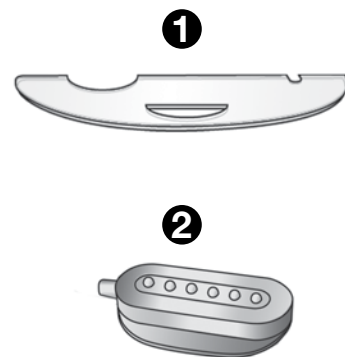
10. This appliance has a polarized plug (one blade is wider than the other). As a safety feature, this plug will fit in a polarized outlet only one way. If the plug does not fit fully in the outlet, reverse the plug. If it still does not fit, contact a qualified electrician. Never use with an extension cord unless plug can be fully inserted. Do not attempt to defeat this safety feature.
9. If an extension cord is necessary, a cord with a proper rating should be used. A cord rated for less amperes or watts than the appliance rating may overheat. Care should be taken to arrange the cord so that it will not be tripped over or pulled.
8. Read and observe all the important notices on the appliance.
7. Make sure an appliance mounted on a tank is securely installed before operating it. temperatures below freezing.
6. Do not install or store the appliance where it will be exposed to the weather or to recommended or sold by the appliance manufacturer may cause an unsafe condition.
5. Do not use an appliance for other than intended use. The use of attachments not Grasp the plug and pull to disconnect.
4. Always unplug an appliance from an outlet when not in use, before putting on or taking off parts, and before cleaning. Never yank cord to pull plug from outlet. lamp bulbs, etc.
3. To avoid injury, do not contact moving parts or hot parts such as heaters, reflectors, 2. Close supervision is necessary when any appliance is used by or near children. of water in the receptacle.
1. A. If the appliance falls into the water, DON'T reach for it. First unplug it and then retrieve it. If electrical components of the appliance get wet, unplug it immediately. B. If the appliance shows any sign of abnormal water leakage, immediately unplug from the power source. C. Carefully examine the appliance after installation. It should not be plugged in if there is water on parts not intended to be wet. D. Do not operate any appliance if it has a damaged cord or plug, or if it is malfunctioning or if it is dropped or damaged in any manner. E. To avoid the possibility of the appliance plug or receptacle getting wet, position aquarium stand and tank to one side of a wall mounted receptacle to prevent water from dripping onto the receptacle or plug. A "drip loop", shown in the figure at right, should be arranged by the user for each cord. The "drip loop" is that part of the cord below the level of the receptacle or the connector, if an extension cord is used, to prevent water from traveling along the cord and coming in contact with the receptacle. If the plug or receptacle does get wet, DON'T unplug the cord. Disconnect the fuse or circuit breaker that supplies power to the appliance. Then unplug and examine for presence of water in the receptacle.

IMPORTANT SAFEGUARDS READ AND FOLLOW ALL SAFETY INSTRUCTIONS

WARNING: To guard against injury, basic safety precautions should be observed, including the following:

DANGER: To avoid possible electric shock, special care should be taken in the use of aquarium equipment. For each of the following situations, do not attempt repairs yourself. Return the appliance to an authorized service facility for service or discard the appliance.

Replacement Parts List



KEY	DESCRIPTION	ITEM #
1	Half Moon Lid	19366-00
2	6 LED Airstone	19368-00

ColorFusion 3 Gallon Half Moon Kit



For Optimum Filter and Air Stone Performance

1. Replace filter cartridge (Tetra® Cartridge size small) monthly for optimal fish health. Available at your local retailer.
2. NEVER plug the Air Pump or Airstone in without water in the Aquarium.
3. NEVER immerse Air Pump in Water. Air Pump NEVER needs oil.
4. Clean outside of Air Pump with damp cloth and mild detergent.

Troubleshooting Guidelines

SYMPTOM	COMMENTS/SOLUTIONS
If your filter does not start. . .	<ul style="list-style-type: none"> • Make sure that the Airline Tubing and Diffuser Tube are attached properly and that the O-Ring in the Diffuser Tube is in place. • With dry hands, make sure the Air Pump is plugged into a working electrical source.
If the LED Airstone won't turn on or you notice diminished air flow. . .	<ul style="list-style-type: none"> • Make sure that the Airline Tubing is attached to the Air Pump and LED Airstone Air Port properly. • With dry hands, make sure the Air Pump is plugged into a working electrical source. • Airflow loss is usually caused by a clogged Airstone, which over time becomes blocked as algae, floating debris, and mineral deposits accumulate in the pores. Try blowing through the LED Airstone Air Port yourself. • Worn Airstone, Air Tube and/or other rubber parts can also diminish air flow. Replacement parts are available in repair kits (sold separately).

IMPORTANT:

Always unplug your Aquarium Kit when inspecting or disassembling for any reason.

LIMITED ONE-YEAR WARRANTY

We warrant each new Tetra® ColorFusion 3 gallon Half Moon Kit (with the exception of rubber parts), against defects in material or workmanship for a period of one year from the date of the original purchase, as follows: We will replace all non-rubber defective parts without charge when the complete kit is returned postpaid to United Pet Group, Inc. with a sales slip showing the date of purchase and \$10.00 to defray the cost of shipping and insurance. Be sure to wrap the kit carefully for protection in shipment. This Limited Warranty does not cover product conditions caused by accident, misuse, abuse or failure to follow the instructions accompanying the kit.

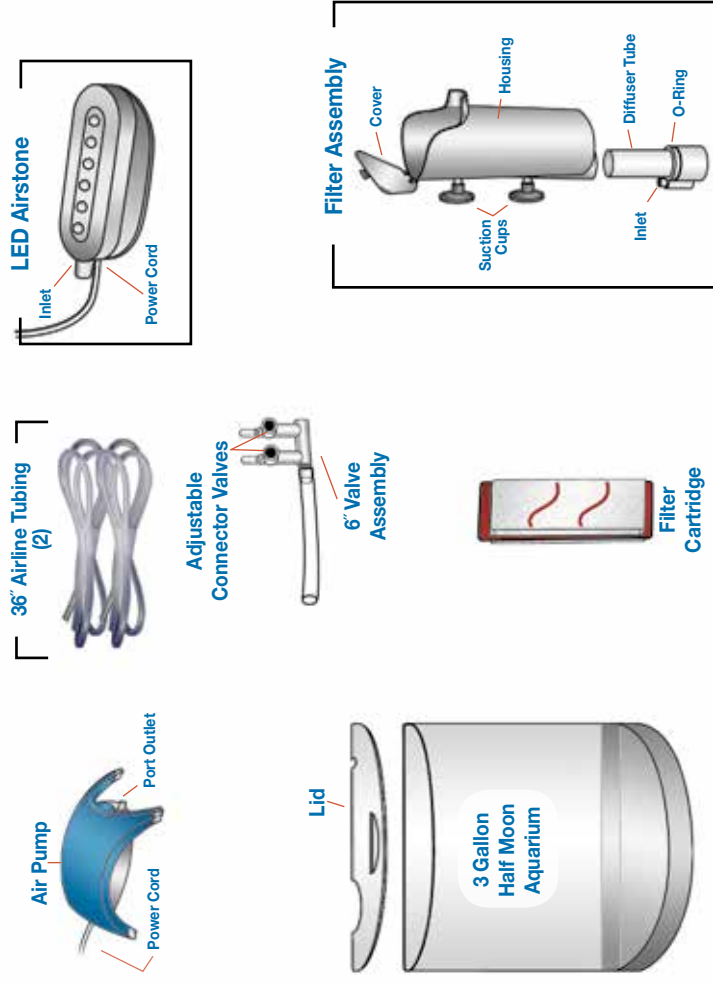
Replacement as provided under this warranty is your exclusive remedy. We shall not be liable for any incidental or consequential damages for breach of any expressed or implied warranty on the product. Any implied warranty of merchantability or fitness for a particular purpose is limited to the duration of this limited warranty.

Some states do not allow the exclusion on limitation of incidental or consequential damages, or allow limitations on how long an implied warranty lasts, so the above limitations or exclusion may not apply to you. This warranty gives you specific legal rights, and you may also have other rights, which vary from state to state.

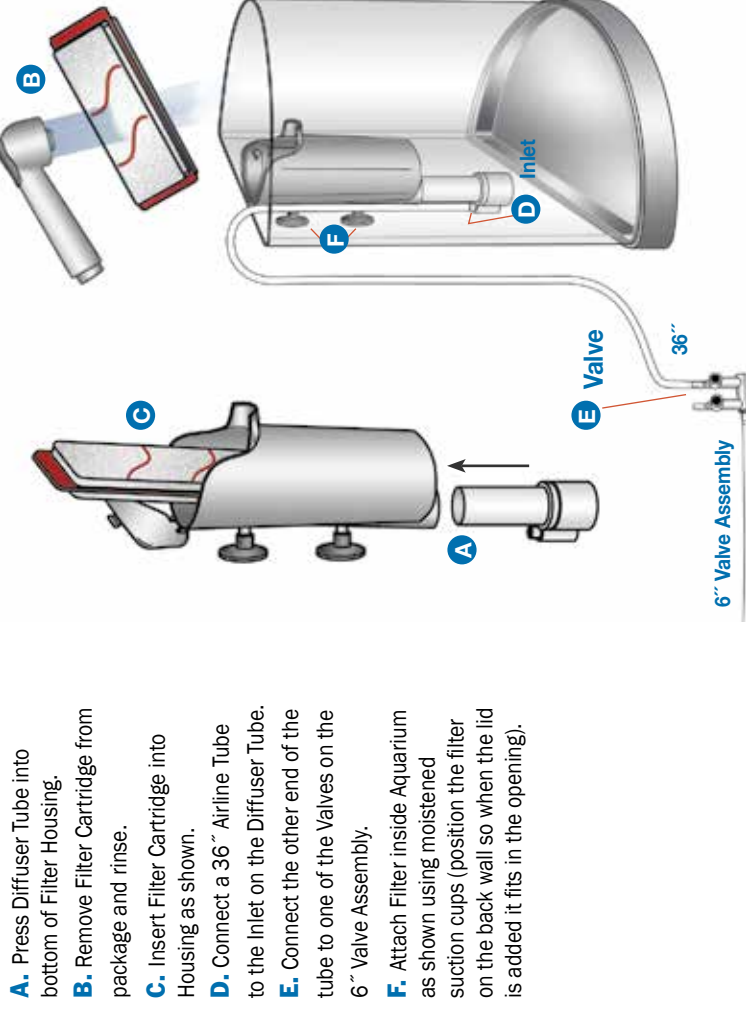
United Pet Group, Inc. (UPG)
3001 Commerce St., Blacksburg, VA 24060-6671, U.S.A.
1-800-526-0650 • www.tetra-fish.com
®Registered Trademark of United Pet Group, Inc.
or one of its affiliates
©2014 UPG

For questions or missing parts
contact customer service at
(800) 526-0650 • www.tetra-fish.com
M-F 7:30 A.M. to 5:30 P.M. Eastern Time

1 Part Identification

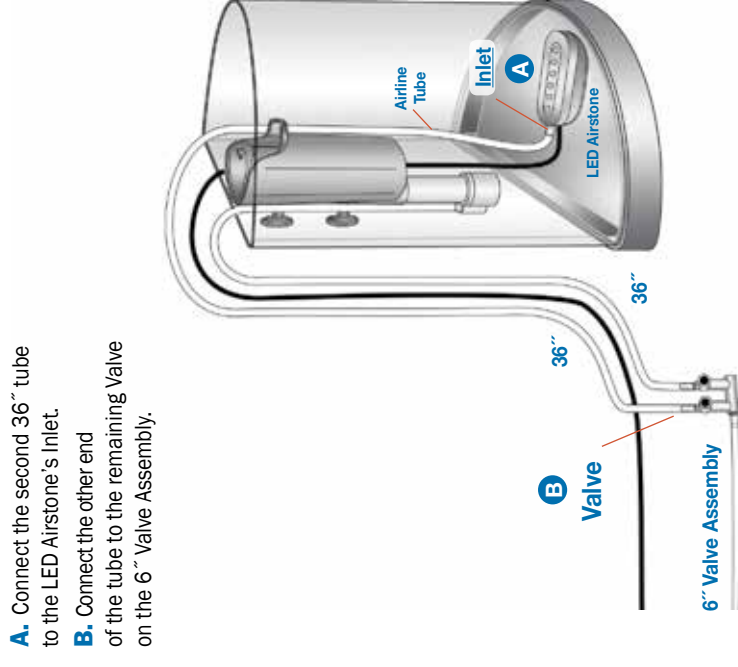


2 Filter Setup



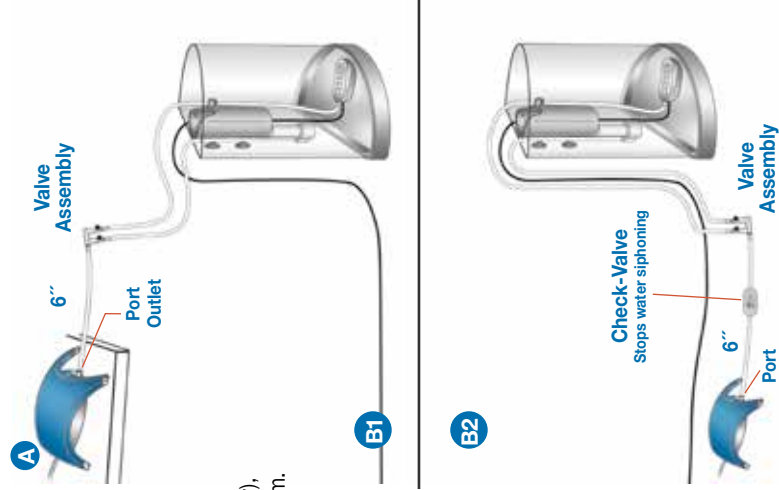
- A.** Press Diffuser Tube into bottom of Filter Housing.
- B.** Remove Filter Cartridge from package and rinse.
- C.** Insert Filter Cartridge into Housing as shown.
- D.** Connect a 36" Airline Tube to the Inlet on the Diffuser Tube.
- E.** Connect the other end of the tube to one of the Valves on the 6" Valve Assembly.
- F.** Attach Filter inside Aquarium as shown using moistened suction cups (position the filter on the back wall so when the lid is added it fits in the opening).

3 LED Airstone Setup



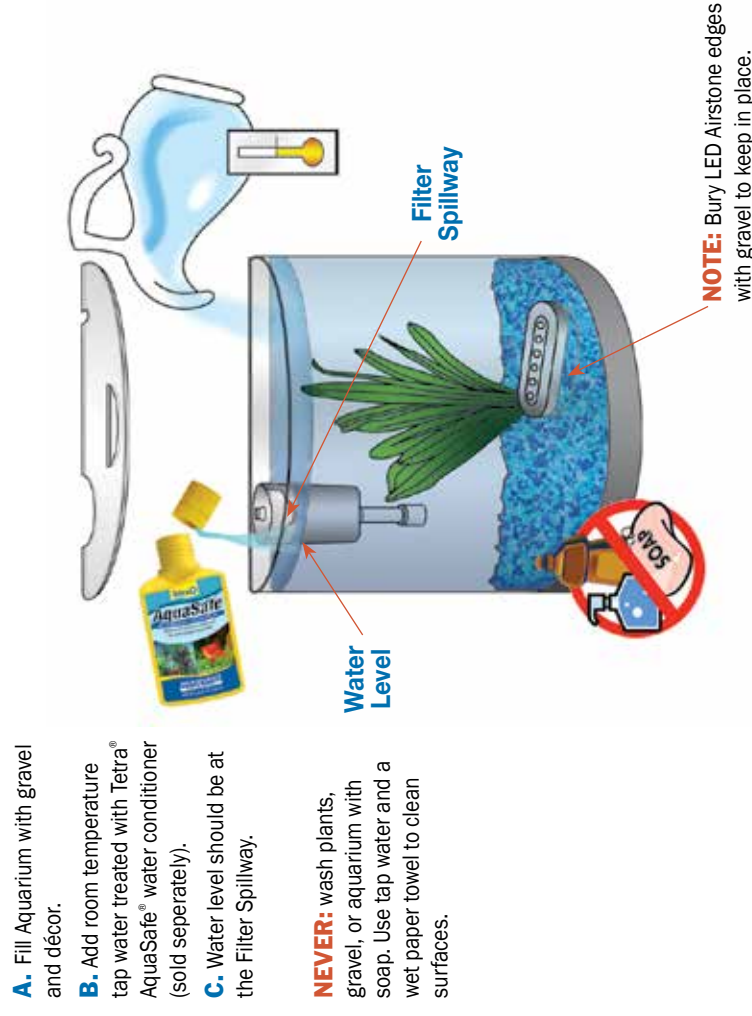
- A.** Connect the second 36" tube to the LED Airstone's Inlet.
- B.** Connect the other end of the tube to the remaining Valve on the 6" Valve Assembly.

4 Air Pump Setups



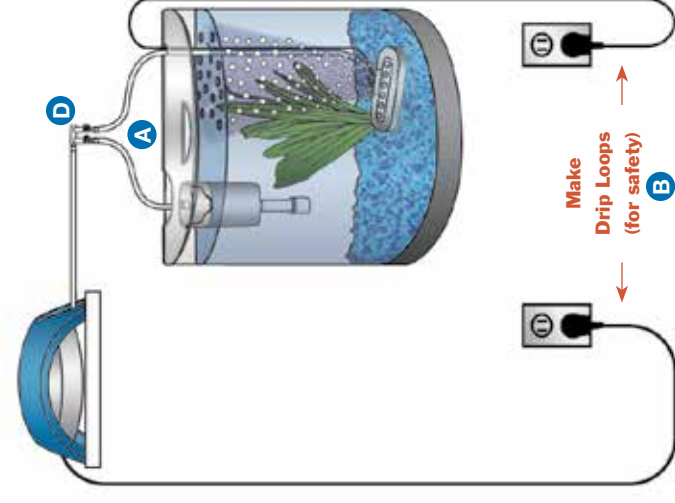
- A.** Connect the 6" Tube coming from the Adjustable Connector Valves to the Air Pump Air Port Outlet.
NOTE: There are two setup options to choose from depending on the location of your kit, and to avoid water siphoning into the Air Pump.
- B1.** Above Tank Setup: If you choose not to use a check valve (sold separately), place Air Pump 12" higher than water level in aquarium. This helps prevent water siphoning into Air Pump.
NEVER: place Air Pump directly above aquarium.
- B2.** Check Valve Setup: If placing the Air Pump lower than water level in aquarium, use a Check-Valve (sold separately). Check-Valve should be placed between the Air Pump and the Valve Assembly to prevent water from draining down airline tubing and damaging the air pump.
NOTE: To avoid water siphoning into the Air Pump during electrical power failure or when removing filter, a Check-Valve (sold separately) is recommended.

5 Prepare Aquarium



- A.** Fill Aquarium with gravel and décor.
 - B.** Add room temperature tap water treated with Tetra® AquaSafe® water conditioner (sold separately).
 - C.** Water level should be at the Filter Spillway.
NEVER: wash plants, gravel, or aquarium with a soap. Use tap water and a wet paper towel to clean surfaces.
- NOTE:** Bury LED Airstone edges with gravel to keep in place.

6 Start Up



- A.** Place Lid on Aquarium. Route Air Tubes and LED Airstone power cord through cutout in Lid.
- B.** Plug power cords into power outlets.
- C.** Helpful Hint: Turn the valve for the filter to the off position and open the valve for the Airstone to max. This will help open the Airstone during start up.
- D.** Turn each valve to adjust the flow of the filter and bubble effect of the Airstone.