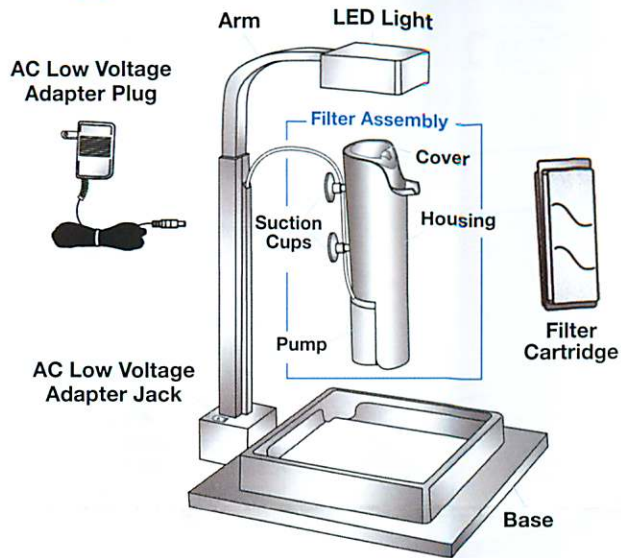
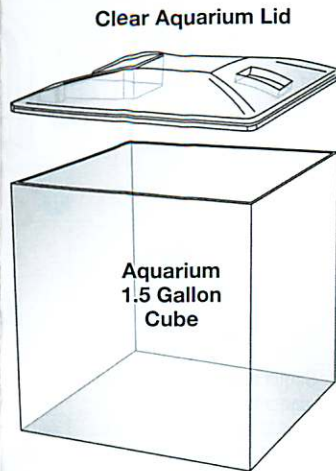


Start Here - LED Aquarium Kit Quick Setup Guide

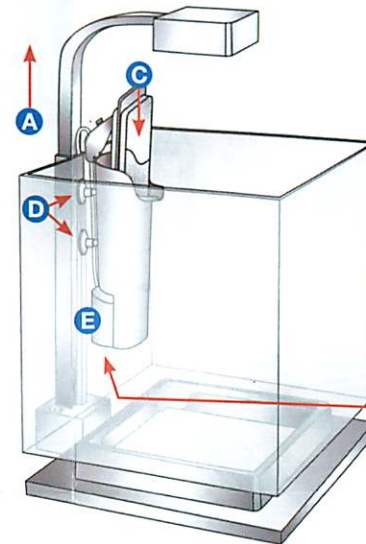
1 Parts Check



2 Filter Setup



A. Extend Arm up to access the Filter Assembly.

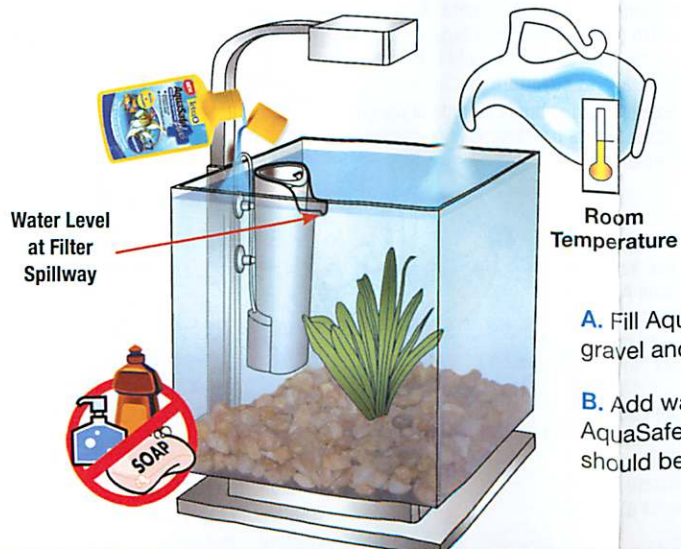


NOTE: Replace Filter Cartridge every 3 to 4 weeks for optimal fish health.

D. Using Suction Cups attach Filter Assembly inside Aquarium.

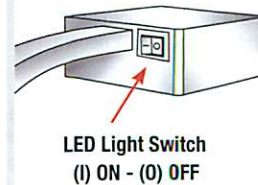
E. Make sure Pump is firmly attached to Housing.

3 Prepare Aquarium



Never: Run the filter without water in it.

4 Start Your Kit



A. Place Lid on Aquarium. Route Filter cord through cutout in Lid.

B. Lower Arm down over Aquarium Lid.

C. Attach AC Adapter Plug into Jack.

D. Plug AC Adapter into wall power outlet. This powers both the Filter and LED Light.

NOTE: Unplug AC Adapter to turn Filter off. Use Light Switch to Turn LED Light on and off.

